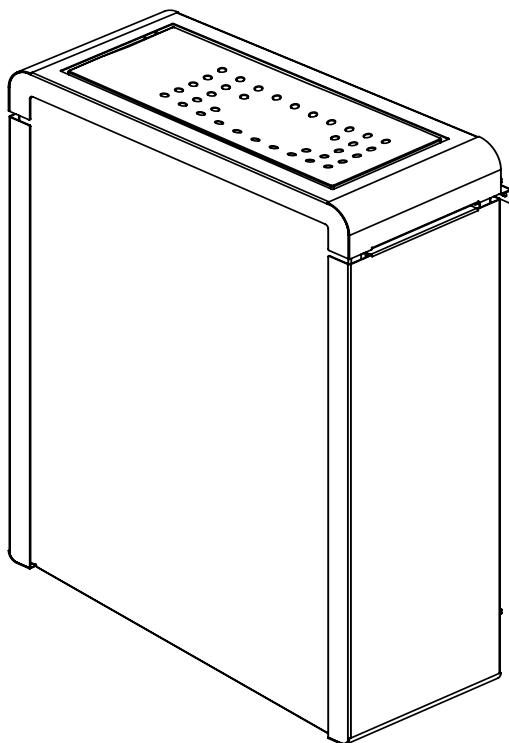


# Evaporator

## RB 2,5 kW

1-027-762 / CP-25-STP-B

INSTRUCTIONS FOR INSTALLATION AND USE  
English



EN

DE

FR

CS

SV

FI

# Table of Contents

<b>1. About this instruction manual</b>	<b>4</b>
<b>2. Important information for your safety</b>	<b>5</b>
2.1. Intended use	5
2.2. Safety information for the installer	6
2.3. Safety information for the user	7
<b>3. Product description</b>	<b>9</b>
3.1. Scope of delivery	9
3.2. Accessories	9
3.3. Product functions	9
<b>4. Installation and connection</b>	<b>10</b>
4.1. Installation location	10
4.2. Safety distances	10
4.3. Installation on the cabin wall	10
4.4. Installation on the Concept R sauna heater	13
4.5. Connection diagram	15
4.6. Electrical connection	16
<b>5. Starting up</b>	<b>18</b>
5.1. Using the ceramic bowl	18
5.2. Heating up for the first time	18
<b>6. Operation</b>	<b>19</b>
6.1. Finnish sauna mode	19
6.2. Combi mode	19

<b>7. Maintenance</b>	<b>22</b>
7.1. Cleaning the evaporator tank .....	22
7.2. Cleaning the ceramic bowl.....	22
7.3. Descaling the evaporator tank.....	22
<b>8. Troubleshooting</b>	<b>23</b>
<b>9. Disposal</b>	<b>24</b>
<b>10. Technical data</b>	<b>25</b>

# 1. About this instruction manual

Carefully read these instructions for installation and use, and keep them near the sauna. This ensures you can refer to information about safety and operation at any time.



These installation and operating instructions can also be found in the downloads section of our website: [www.sentiotec.com/downloads](http://www.sentiotec.com/downloads).

## ***Symbols used for warnings***

In these installation and operating instructions, warning symbols are displayed next to activities that are hazardous. Warning symbols must be observed at all times. This prevents damage to property and injuries, which in the worst case may be fatal.

The warning symbols contain keywords that mean the following:



### **DANGER!**

Serious or fatal injury will occur if this warning symbol is not observed.



### **WARNING!**

Serious or fatal injury can occur if this warning symbol is not observed.



### **CAUTION!**

Minor injuries can occur if this warning symbol is not observed.

## **ATTENTION!**

This keyword warns that damage to property can occur.

## ***Other symbols***



This symbol indicates tips and useful information.



Read the operating instructions



Caution: Hot steam

## **2. Important information for your safety**

The evaporator RB is constructed in accordance with recognised safety rules and regulations. Nevertheless, hazards can occur during use. You should therefore adhere to the following safety information and the specific warnings in the individual sections.

### **2.1. Intended use**

The evaporator RB may only be used for increasing the humidity within the sauna cabin and only in combination with a sauna control with evaporator function and sauna heater.

Any use falling outside this limitation constitutes improper use. Improper use can result in damage to the product, severe injuries or death.

## 2.2. Safety information for the installer

- Installing and connecting the auxiliary evaporator may only be performed when the power supply is disconnected.
- Installation may only be performed by a qualified electrician or similarly qualified person.
- An all-pole disconnecting device with full cut-off must be fitted on-site in accordance with overvoltage category III.
- Always use silicone cables that are heat-resistant up to 150 °C to connect the auxiliary evaporator.
- The roof and walls of the sauna cabin are manufactured from low-resin, untreated or thermally treated wood, e.g. Nordic spruce, hemlock, pine or fir, or from laminated wooden materials. If laminated wooden materials are used, make sure that the adhesive used in them does not produce formaldehyde. If other materials apart from wood are used in the sauna cabin, these materials must be heat and corrosion-resistant and must not have any negative effect on the health of the sauna users.
- When installing the auxiliary evaporator R, observe the minimum safety distances (see **4.2. Safety distances** on page **10**).
- Observe all the local regulations applicable to the installation.
- For your own safety, consult your supplier in the event of problems that are not explained in sufficient detail in the installation instructions.

### 2.3. Safety information for the user

- The device must not be used by children under 8 years old.
- The device may only be used by children over 8 years old, by persons with limited psychological, sensory or mental capabilities or by persons with lack of experience/knowledge under the following conditions:
  - When they are supervised.
  - When they have been shown how to use the device safely and are aware of the hazards that could occur.
- Children must not play with the device.
- Children under 14 years old may only clean the device if they are supervised.
- For health reasons, do not use the sauna when under the influence of alcohol, medication or drugs.
- Heat up the auxiliary evaporator for half an hour BEFORE using the sauna for the first time. Do NOT remain in the sauna cabin during this period. Thereafter, ventilate the sauna cabin thoroughly (see **5.2. Heating up for the first time** on page 18).

- Before the sauna control unit is switched on, make sure that no flammable objects have been placed on the sauna heater or on the auxiliary evaporator.
- Never touch the auxiliary evaporator while it is in operation. The surface of the auxiliary evaporator becomes very hot.
- Avoid direct contact with the steam emitted during operation. The steam emitted is very hot and there is a risk of scalding.
- Do not put herbs, essences or fragrances directly into the evaporator tank, but only into the ceramic bowl over the evaporator.
- NEVER pour water into the hot evaporator tank. Check and fill the evaporator tank each time before starting combi mode. If the overheating protection has switched off the heating of the evaporator or if your sauna control unit reports a lack of water, allow the evaporator to cool down BEFORE you pour water into the evaporator tank. The device must be disconnected from the mains while being filled or cleaned.
- For your own safety, consult your supplier in the event of problems that are not described in sufficient detail in the operating instructions.



## 3. Product description

### 3.1. Scope of delivery

- Auxiliary evaporator with mounting rail
- Instructions for installation and use
- Ceramic bowl for herbs and fragrances

### 3.2. Accessories

<i>Accessories</i>	<i>Article number</i>
Automatic filling	CP-RC-AF
Bracket set for railing	CP-RM-HSR-4S
Wooden railing evaporator NUT	CP-RM-N-4S
Wooden railing evaporator LINDEN	CP-RM-L-4S

EN

### 3.3. Product functions

The evaporator RB is a device for upgrading a sauna with a Finnish sauna heater. The additional installation of the evaporator makes the following operating modes possible:

- **Finnish sauna mode:** usually 80 to 100 °C; approx. 10 % rel. humidity
- **Combi mode** (only in combination with a combi control): approx. 40 to 65 °C, 35% to 70% humidity. The maximum permissible relative humidity decreases with increasing temperature.

If you wish, you can put fragrances or dried herbs in the ceramic bowl over the evaporator in combi mode. The rising steam releases essential oils from the herbs and allows fragrances to fill the sauna cabin.

## 4. Installation and connection

Observe the following points when installing and connecting the auxiliary evaporator:



### **WARNING!**

#### ***Risk of electric shock***

- The auxiliary evaporator must only be installed and connected when the power supply is disconnected.
- 

- The electrical connection may only be performed by a qualified electrician or similarly qualified person.
- An all-pole disconnecting device with full cut-off must be fitted on-site in accordance with overvoltage category III.
- The auxiliary evaporator R is intended for installation on the sauna wall.
- Observe the minimum distances specified in 4.2 during installation.

### 4.1. Installation location

Install the evaporator at a suitable location on the cabin wall or on your Concept R combi sauna heater, and observe the minimum safety distances when doing so.

### 4.2. Safety distances

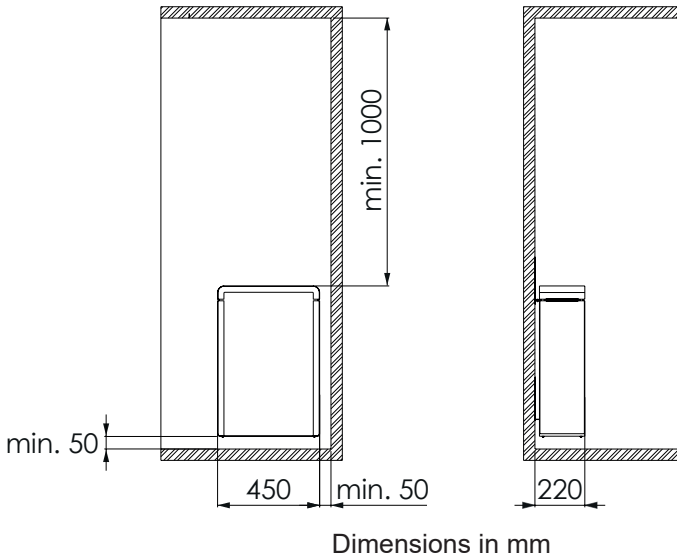
Observe the minimum safety distances specified in **Fig. 1** (page 12).

### 4.3. Installation on the cabin wall

Observe **Fig. 1**, **Fig. 2**, **Fig. 3** and **Fig. 4** (page 12, 13).

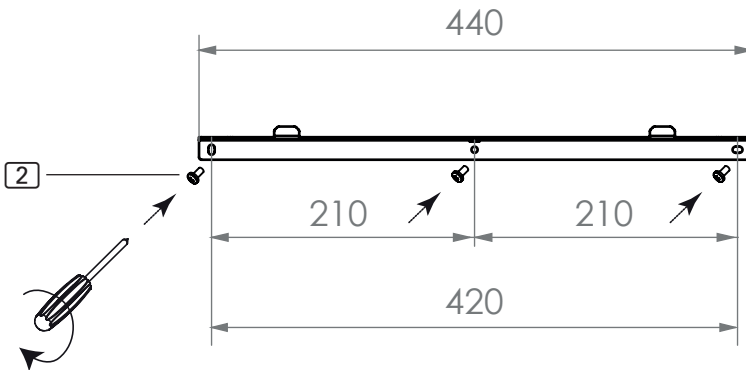
1. Attach the mounting rail **1** to the wall so it is level with the supplied wood screws **2**. Observe the minimum distances for the auxiliary evaporator shown in **Fig. 1**.
2. Mount the evaporator **3** on the mounting rail starting at the top. Make sure that the evaporator is flush against the wall.
3. Secure the evaporator **3** using the supplied screws **4** on the mounting rail **1**.

**Fig.1** Safety distances for 2.5 kW evaporator RB

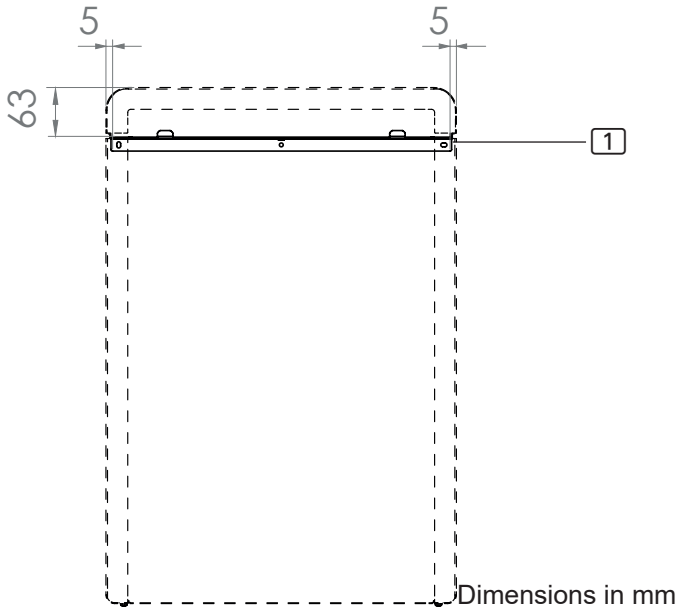


EN

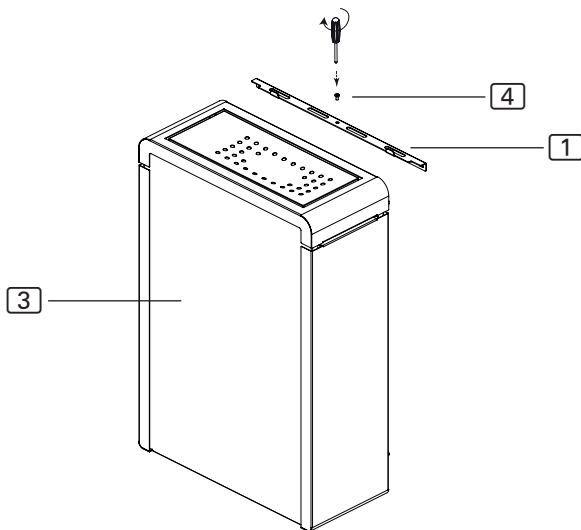
**Fig.2** Mounting rail for 2.5 kW evaporator RB



**Fig.3** Position of mounting rail



**Fig.4** Securing the 2.5 kW evaporator RB (mounting rail)



#### 4.4. Installation on the Concept R sauna heater

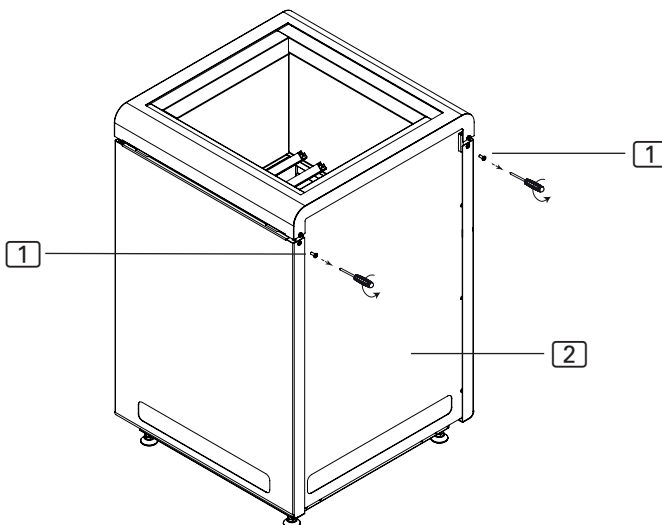
You can upgrade your Finnish Concept R sauna heater to a combi heater with the auxiliary evaporator. However, you need to check that your sauna control is suitable for combi-mode.

Observe the safety distances **Fig. 1** (page **12**) and **Fig. 5, Fig. 6 Fig. 7** (page **14, 15**).

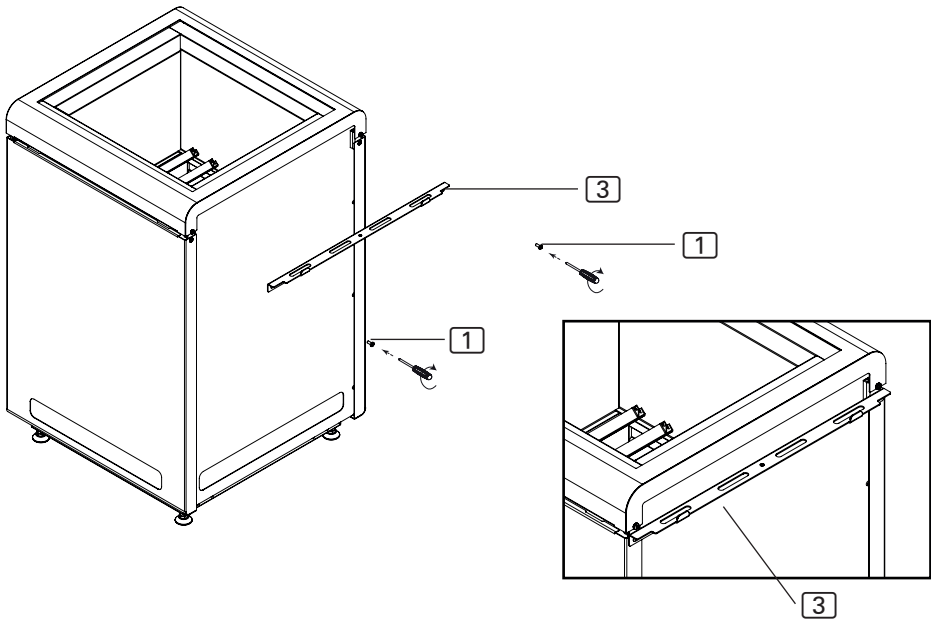
1. Loosen the screws **1** on the side of the Concept R sauna heater **2** that you wish to use.
2. Attach the mounting rail **3** to the Concept R sauna heater as in **Fig. 6** with the screws **1**. Observe the minimum distances in your heater's operating instructions when selecting the sauna heater's installation location.
3. Mount the evaporator **4** on the mounting rail **3** starting at the top. Make sure that the evaporator is flush against the wall.
4. Secure the evaporator **4** using the supplied screws **5** on the mounting rail **3**.

EN

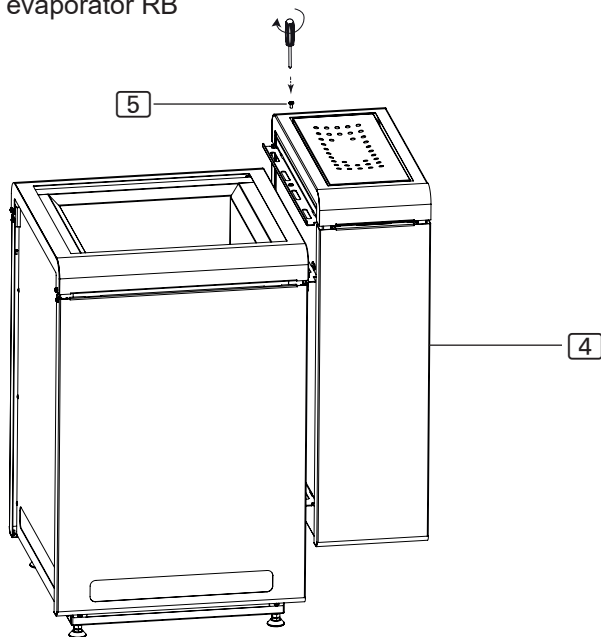
**Fig.5** Unscrew the screws on the Concept R sauna heater



**Fig.6** Attaching the mounting rail to the Concept R sauna heater

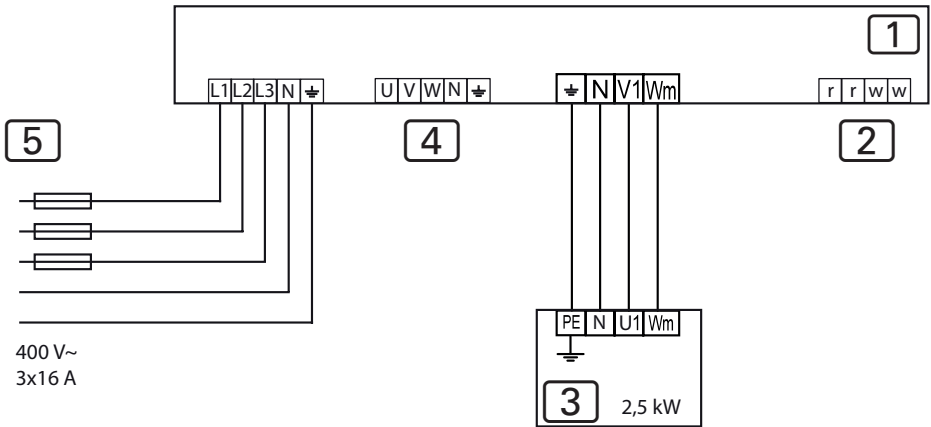


**Fig.7** Securing the evaporator RB



### 4.5. Connection diagram

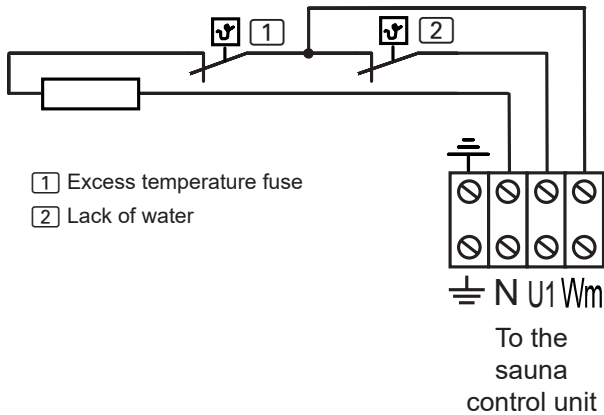
**Fig.8** Connection diagram for the 2.5 kW auxiliary evaporator



- 1 Sauna control unit
- 2 Temperature sensor with excess temperature controller
- 3 2.5 kW Auxiliary evaporator
- 4 9 kW or 10.5 kW Heating system
- 5 Power supply

EN

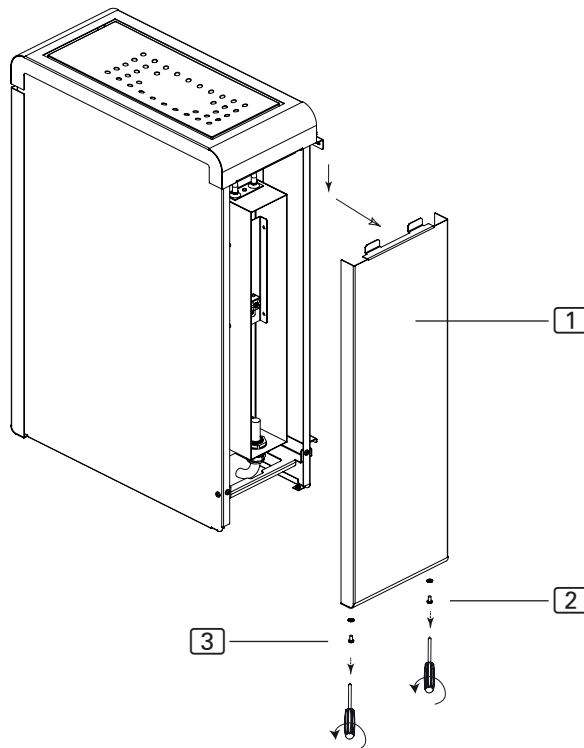
**Fig.9** Wiring diagrams – heating system



## 4.6. Electrical connection

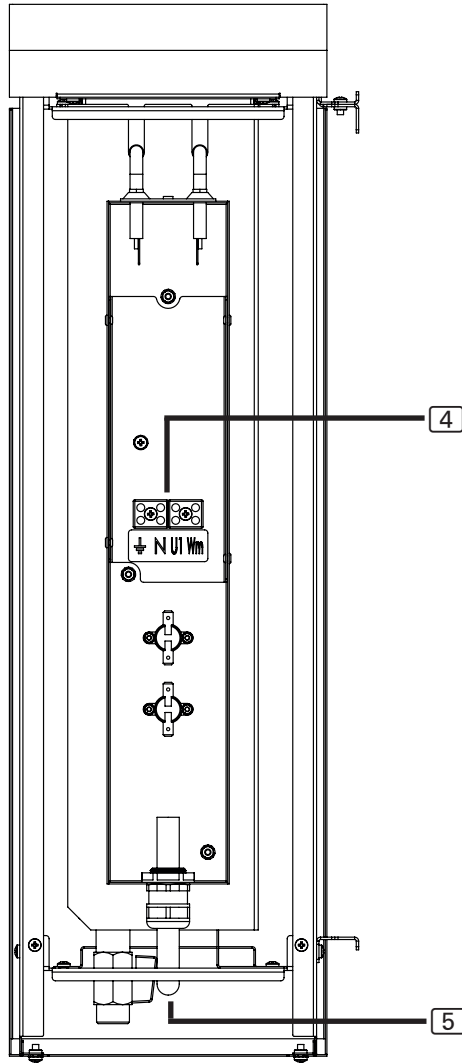
1. Unscrew the screws **2** and **3** with a screwdriver.
2. Remove the cover plate **1**.
3. Guide the connection cable for the evaporator through the feed-through **5**.
4. Connect the connectors of this connection cable to the PE – N – U1 – Wm terminals, to the connector block **4** and to the applicable sauna control unit terminals. Observe the installation instructions for the sauna control unit when doing so.
5. Reattach the cover panel **1** to the auxiliary evaporator R.

**Fig.10** Removing the cover panel





**Fig.11** Auxiliary evaporator R connection terminals



EN

- 4 Connector block for the evaporator
- 5 Feed-through for the connection cable

## 5. Starting up

### 5.1. Using the ceramic bowl

- Place the ceramic bowl on the evaporator tank as shown in the illustration on the right.

### 5.2. Heating up for the first time



#### CAUTION!

#### *Formation of smoke and odours when heating up for the first time*

Working materials from the manufacturing process will be present on the new heating elements. These evaporate when the auxiliary evaporator is heated up for the first time. This produces smoke and an unpleasant odour. Breathing in the fumes or smoke can be harmful to your health.

Perform the following steps when **operating the auxiliary evaporator for the first time** or if the **heating elements for the auxiliary evaporator have been replaced**. This will prevent your health being impaired due to the fumes and smoke produced when heating up for the first time.

#### 1. Heating the evaporator for the first time

- a. Select a low temperature and high humidity on the sauna control unit.

- b. Heat the evaporator **WITHOUT** water.

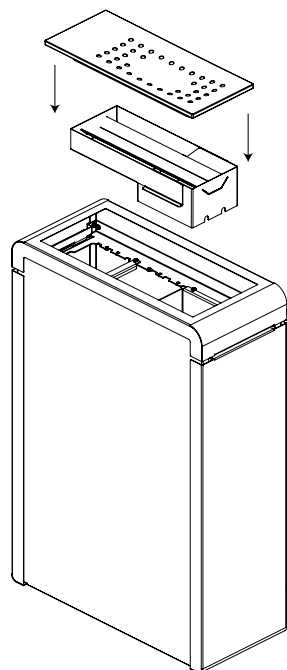
**Do NOT remain in the sauna cabin during this period.**

- ▶ After about 15 minutes, the excess temperature protection switches off the evaporator.

- c. Allow the evaporator to cool (for approx. half an hour).

- d. Repeat step 1. b.

- e. Ventilate the sauna cabin thoroughly after heating up.



- f. If no smoke or odour is produced the next time the sauna heater is heated up, rinse the cooled evaporator with tap water. Thereafter, you can start to use the sauna.  
If smoke or an odour arises again, leave the sauna cabin immediately, and repeat the initial heating up process followed by ventilation.

## 6. Operation

A sauna control unit is used to operate the auxiliary evaporator R. For information on how to operate the sauna control unit, read the operating instructions for the device used.

### 6.1. Finnish sauna mode

In Finnish sauna mode, only your sauna heater's heating system is in operation. Dry heat is produced. The temperature in the cabin is high (80 to 100 °C). The humidity level is low and does not exceed 10%. The temperature in the sauna cabin is controlled by your sauna control unit.

At the end of the sauna session, you can pour water over the stones. Pour water over the stones using a sauna ladle. The water evaporates and the humidity in the sauna cabin is increased.

Observe the instruction manual for your sauna heater.

### 6.2. Combi mode

In combi mode, the heating system of the sauna heater and the auxiliary evaporator are in operation. The temperature in the sauna cabin is lower than in Finnish sauna mode (approx. 40 to 65 °C), instead of which the relative humidity is considerably higher at 35% to approximately 70%. The maximum permissible relative humidity decreases with increasing temperature. The temperature and the humidity in the sauna cabin are controlled by your sauna control unit.

The evaporator tank must be filled manually. If the water in the evaporator tank has been used up, an overheating protection function automatically turns off the heating of the evaporator. The lack of water is reported to the sauna control unit and displayed there, e.g. by an audible warning tone and the message "FILL".



The Auto Refill Set (CP-RC-AF) allows for a fixed water connection, making automatic filling of the evaporator tank possible.

---

**ATTENTION!*****Damage to the evaporator***

Sea water, hard water, chlorinated water, herbs, essences or fragrances can damage the sauna heater.

- Only fill the evaporator tank with tap water.
- Do not put herbs, essences or fragrances directly into the evaporator tank, but only into the ceramic bowl over the evaporator.
- Descale the evaporator regularly (see **7.3.** on page **22**).

---

***Filling the evaporator*****CAUTION!*****Risk of scalding***

If you pour water into the hot evaporator tank, hot steam is created.

- NEVER pour water into the hot evaporator tank.
- Check and fill the evaporator tank each time before starting combi mode.
- If the overheating protection has switched off the heating of the evaporator or if your sauna control unit reports a lack of water, allow the evaporator to cool down BEFORE you pour water into the evaporator tank.

**CAUTION!*****Risk of scalding***

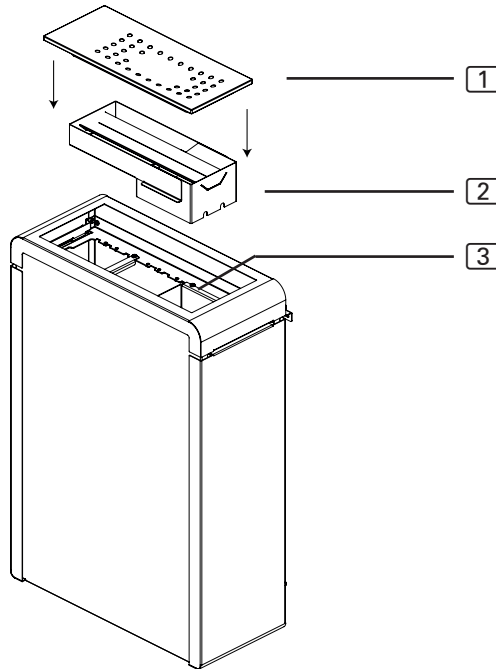
If the evaporator tank is too full, boiling water will spray out of the evaporator tank.

- Only fill the evaporator tank up to the maximum mark.

- 
1. Remove the ceramic bowl **[1]** and the steam funnel **[2]**.
  2. Place a receptacle (at least 5 litres) under the ball valve at the bottom of the evaporator.
  3. Turn the ball valve to the left, until the remaining water flows out.
  4. When the evaporator tank **[3]** is empty, close the ball valve.

5. Fill the evaporator tank **3** with fresh tap water up to the maximum mark. You will need about 5 litres of water for this. This amount of water allows the evaporator to be operated for approximately 1 hour.
6. Replace the ceramic bowl **1** and the steam funnel **2** .

**Fig.12** Evaporator assembly



### **Using fragrances and herbs**

If you wish, you can put fragrances or dried herbs into the ceramic bowl. Observe the following points:

- Do not put fragrances directly into the evaporator tank.
- Follow the manufacturer's instructions on the packaging of the herbs and fragrances.



#### **CAUTION!**

#### ***Risk of scalding***

Carefully fill the ceramic bowl and the steam funnel, so the fragrances do not drip into the evaporator tank. Otherwise this can lead to effervescence of the boiling water.

## 7. Maintenance

### 7.1. Cleaning the evaporator tank

Drain and clean the evaporator tank after each use. To do so, perform the following steps:

1. Wait until the water in the evaporator has cooled.
2. Place a receptacle under the ball valve at the bottom of the evaporator.
3. Turn the ball valve to the left, until the remaining water flows out.
4. When the evaporator tank **[3]** is empty, close the ball valve.
5. Remove the ceramic bowl **[1]** and the steam funnel **[2]**.
6. Clean the evaporator tank **[3]** and the steam funnel **[2]** using a household brush with plastic bristles. Rinse with water.
7. Replace the ceramic bowl **[1]** and the steam funnel **[2]**.

### 7.2. Cleaning the ceramic bowl

Clean the ceramic bowl **[1]** for herbs and essences in the dishwasher if necessary.

### 7.3. Descaling the evaporator tank

Descale the evaporator tank **[3]** as required. To do this, use a descaling agent for household appliances. Observe the specifications and safety information of the manufacturer.

1. Prepare the descaling solution according to the manufacturer's instructions.
2. Fill the evaporator with the descaling solution up to the maximum mark.
3. Allow the descaling solution to boil for 10 minutes. **Do NOT remain in the sauna cabin during this period.**
4. Wait until the descaling solution in the evaporator has cooled.
5. Ventilate the sauna cabin thoroughly after this.
6. Place a receptacle under the ball valve at the bottom of the evaporator and drain the evaporator tank.
7. Rinse the evaporator tank twice with tap water.

## 8. Troubleshooting

**Problem:** Evaporator doesn't work although there is voltage.

**Troubleshooting:** Check the excess temperature fuse:



**WARNING!**

**Risk of electric shock**

- Perform the following work only when the power supply is disconnected.

There are 2 temperature-switches located in the connection area:

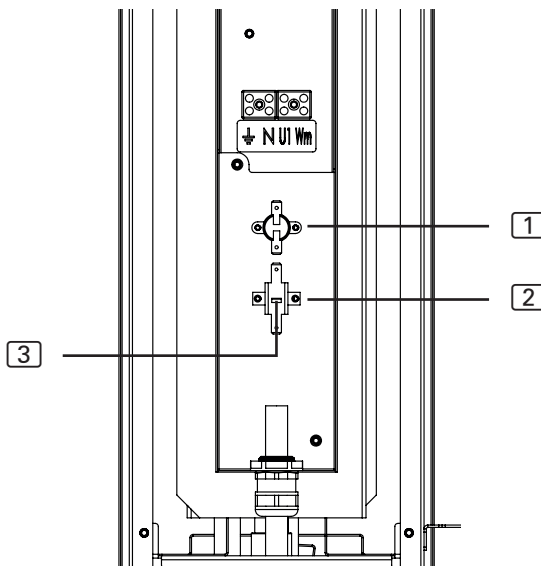
- **1 Temperature switch**

Self-resetting temperature fuse. This fuse triggers, if too less water is inside the evaporator tank. The heating element switches off and an error message occurs on the display of the sauna control unit.

- **2 Excess temperature fuse**

This fuse triggers, if the evaporator tank gets too hot and protects the heating element from damage. To reset the fuse, press the metal-clip **3** in the middle of the fuse.

EN



## 9. Disposal



- Dispose of the packaging materials in accordance with the applicable disposal regulations.
- Used devices contain reusable materials, as well as hazardous substances. Do not dispose of your used device with household waste, but do so in accordance with the locally applicable regulations.

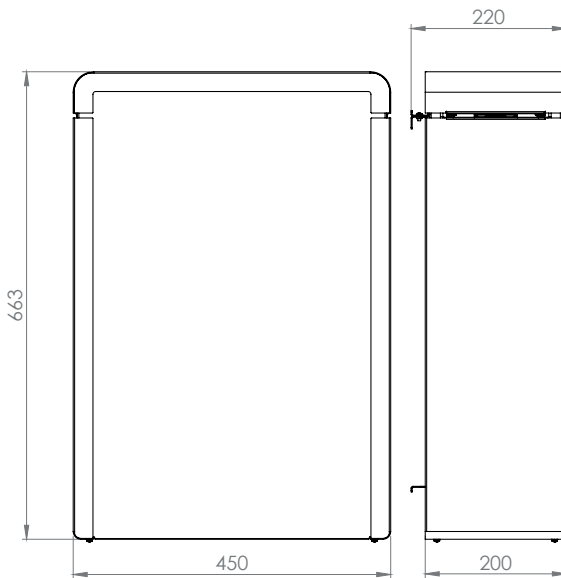


## 10. Technical data

For the dimensions of the auxiliary evaporator, refer to **Fig.13**.

Article number	Power rating of the evaporator [kW]	Weight [kg]	Fuse [A]	Supply voltage
CP-25-STP-B	2,5	18	16	230V AC 1N~ 50/60Hz

**Fig.13** Dimensions of auxiliary evaporator R



Dimensions in mm

Spare parts	Item number	
Heating element	1-044-997	1
Temperature switch	1-026-881	1
Excess temperature fuse	1-027-243	1

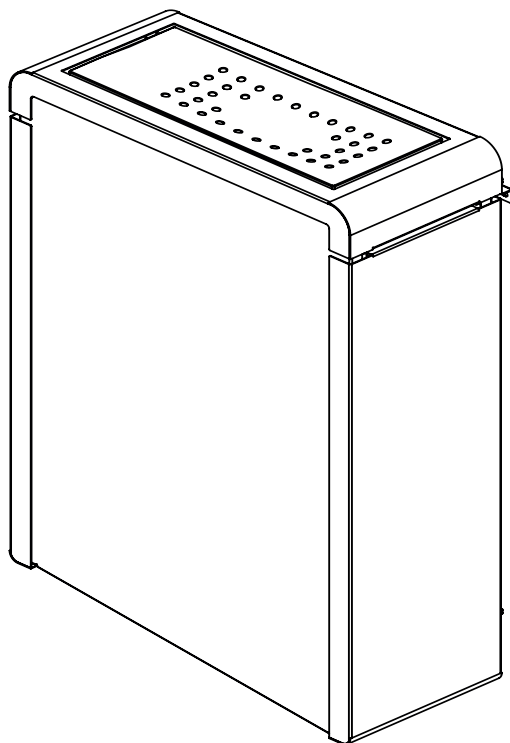




# Zusatzverdampfer RB 2,5 kW

1-027-762 / CP-25-STP-B

MONTAGE- UND GEBRAUCHSANWEISUNG  
Deutsch



DE

# Inhaltsverzeichnis

<b>1. Zu dieser Anleitung</b>	<b>4</b>
<b>2. Wichtige Hinweise zu Ihrer Sicherheit</b>	<b>5</b>
2.1. Bestimmungsgemäßer Gebrauch	5
2.2. Sicherheitshinweise für den Monteur	6
2.3. Sicherheitshinweise für den Anwender	7
<b>3. Produktbeschreibung</b>	<b>9</b>
3.1. Lieferumfang	9
3.2. Zubehör	9
3.3. Produktfunktionen	9
<b>4. Montage und Anschluss</b>	<b>10</b>
4.1. Montageort	10
4.2. Sicherheitsabstände	10
4.3. Montage an der Kabinenwand	10
4.4. Montage am Saunaofen Concept R	13
4.5. Anschlussplan	15
4.6. Elektrischer Anschluss	16
<b>5. Inbetriebnahme</b>	<b>18</b>
5.1. Keramikschale einsetzen	18
5.2. Erstmaliges Aufheizen	18
<b>6. Bedienung</b>	<b>19</b>
6.1. Finnischer Saunabetrieb	19
6.2. Kombi-Betrieb	19

<b>7. Wartung</b>	<b>22</b>
7.1. Verdampferbehälter reinigen .....	22
7.2. Keramikschale reinigen.....	22
7.3. Verdampferbehälter entkalken.....	22
<b>8. Problemlösung</b>	<b>23</b>
<b>9. Entsorgung</b>	<b>24</b>
<b>10. Technische Daten</b>	<b>25</b>

## 1. Zu dieser Anleitung

Lesen Sie diese Montage- und Gebrauchsanweisung gut durch und bewahren Sie sie in der Nähe der Sauna auf. So können Sie jederzeit Informationen zu Ihrer Sicherheit und zur Bedienung nachlesen.



Sie finden diese Montage- und Gebrauchsanweisung auch im Downloadbereich unserer Webseite auf [www.sentiotec.com/downloads](http://www.sentiotec.com/downloads).

### **Symbole in Warnhinweisen**

In dieser Montage- und Gebrauchsanweisung ist vor Tätigkeiten, von denen eine Gefahr ausgeht, ein Warnhinweis angebracht. Befolgen Sie diese Warnhinweise unbedingt. So vermeiden Sie Sachschäden und Verletzungen, die im schlimmsten Fall sogar tödlich sein können.

In den Warnhinweisen werden Signalwörter verwendet, die folgende Bedeutungen haben:



#### **GEFAHR!**

Wenn Sie diesen Warnhinweis nicht beachten, sind Tod oder schwere Verletzungen die Folge.



#### **WARNUNG!**

Wenn Sie diesen Warnhinweis nicht beachten, können Tod oder schwere Verletzungen die Folge sein.



#### **VORSICHT!**

Wenn Sie diesen Warnhinweis nicht befolgen, können leichte Verletzungen die Folge sein.

#### **ACHTUNG!**

Dieses Signalwort warnt Sie vor Sachschäden.

### **Andere Symbole**



Dieses Symbol kennzeichnet Tipps und nützliche Hinweise.



Bedienungsanleitung lesen



VORSICHT: Heißer Wasserdampf

## **2. Wichtige Hinweise zu Ihrer Sicherheit**

Der Zusatzverdampfer RB ist nach anerkannten sicherheitstechnischen Regeln gebaut. Dennoch können bei der Verwendung Gefahren entstehen. Befolgen Sie deshalb die folgenden Sicherheitshinweise und die speziellen Warnhinweise in den einzelnen Kapiteln.

### **2.1. Bestimmungsgemäßer Gebrauch**

Der Zusatzverdampfer RB darf nur zur Erhöhung der Luftfeuchtigkeit in einer Saunakabine verwendet werden und zwar nur in Kombination mit einer Saunasteuerung mit Verdampferfunktion und einem Saunaofen.

Jeder darüber hinausgehende Gebrauch gilt als nicht bestimmungsgemäß. Nicht bestimmungsgemäßer Gebrauch kann zur Beschädigung des Produkts, zu schweren Verletzungen oder Tod führen.

## 2.2. Sicherheitshinweise für den Monteur

- Montage- und Anschlussarbeiten am Zusatzverdampfer dürfen nur im spannungsfreien Zustand durchgeführt werden.
- Die Montage darf nur durch eine Elektrofachkraft oder eine vergleichsweise qualifizierte Person ausgeführt werden.
- Es ist bauseits eine allpolige Trennvorrichtung mit voller Abschaltung entsprechend der Überspannungskategorie III vorzusehen.
- Verwenden Sie zum Anschluss des Zusatzverdampfers ausschließlich bis 150 °C temperaturbeständige Silikonleitungen.
- Decken und Wände der Saunakabine sind aus harzarmen, unbehandelten oder thermisch behandelten Hölzern, z.B. nordischer Fichte, Hemlock, Kiefer oder Tanne, oder aus Holzlagen-Werkstoffen herzustellen. Bei Verwendung von Holzlagen-Werkstoffen ist darauf zu achten, dass deren Klebstoffe kein Formaldehyd abgeben. Werden andere Werkstoffe als Holz in der Saunakabine eingesetzt, müssen diese Materialien hitze- und korrosionsbeständig sein und dürfen keine negativen Auswirkungen auf die Gesundheit der Saunagäste haben.
- Beachten Sie bei der Montage des Zusatzverdampfers R die minimalen Sicherheitsabstände (siehe Kapitel **4.2. Sicherheitsabstände** auf Seite **10**).
- Beachten Sie auch die örtlichen Bestimmungen am Aufstellort.
- Bei Problemen, die in den Montageanweisungen nicht ausführlich genug behandelt werden, wenden Sie sich zu Ihrer eigenen Sicherheit an Ihren Lieferanten.



### 2.3. Sicherheitshinweise für den Anwender

- Das Gerät darf nicht von Kindern unter 8 Jahren verwendet werden.
- Das Gerät darf von Kindern über 8 Jahren, von Personen mit verringerten psychischen, sensorischen oder mentalen Fähigkeiten und von Personen mit Mangel an Erfahrung und Wissen unter folgenden Bedingungen verwendet werden:
  - wenn sie beaufsichtigt werden.
  - wenn ihnen die sichere Verwendung gezeigt wurde und sie die Gefahren, die entstehen können, verstehen.
- Kinder dürfen nicht mit dem Gerät spielen.
- Kinder unter 14 Jahren dürfen das Gerät nur reinigen, wenn sie beaufsichtigt werden.
- Wenn Sie unter dem Einfluss von Alkohol, Medikamenten oder Drogen stehen, verzichten Sie aus gesundheitlichen Gründen auf das Saunabad.
- Heizen Sie VOR dem ersten Saunabad den Zusatzverdampfer für eine halbe Stunde auf. Halten Sie sich während dieser Zeit NICHT in der Saunkabine auf. Lüften Sie anschließend die Saunakabine gut durch (siehe **5.2. Erstmaliges Aufheizen** auf Seite 18).

- Stellen Sie sicher, dass keine brennbaren Gegenstände auf dem Saunaofen und dem Zusatzverdampfer liegen, bevor Sie die Saunasteuerung einschalten.
- Berühren Sie niemals den Zusatzverdampfer während des Betriebs. Die Oberfläche des Zusatzverdampfers wird sehr heiß.
- Vermeiden Sie während des Betriebs den unmittelbaren Kontakt mit austretendem Dampf. Der austretende Dampf ist sehr heiß, es besteht Verbrühungsgefahr.
- Geben Sie Kräuter, Essenzen oder Duftstoffe nicht direkt in den Verdampferbehälter, sondern nur in die Keramikschale über dem Verdampfer.
- Gießen Sie NIEMALS Wasser in den heißen Verdampferbehälter. Kontrollieren und befüllen Sie den Verdampferbehälter jedesmal bevor Sie den Kombi-Betrieb starten. Wenn der Überhitzungsschutz die Heizung des Verdampfers abgeschaltet hat oder Ihre Saunasteuerung einen Wassermangel meldet, lassen Sie den Verdampfer abkühlen BEVOR Sie Wasser in den Verdampferbehälter gießen. Für den Zeitraum der Nachfüllung mit Wasser und Reinigung muss das Gerät vom Netz getrennt werden.
- Bei Problemen, die in der Gebrauchsanweisung nicht ausführlich genug behandelt werden, wenden Sie sich zu Ihrer eigenen Sicherheit an Ihren Lieferanten.

## 3. Produktbeschreibung

### 3.1. Lieferumfang

- Zusatzverdampfer mit Montageleiste
- Montage- und Gebrauchsanweisung
- Keramikschale für Kräuter und Duftstoffe

### 3.2. Zubehör

Zubehör	Artikelnummer
Automatische Befüllung	CP-RC-AF
Halterungsset für Reling	CP-RM-HSR-4S
Holzreling Zusatzverdampfer NUSS	CP-RM-N-4S
Holzreling Zusatzverdampfer LINDE	CP-RM-L-4S

### 3.3. Produktfunktionen

Der Zusatzverdampfer R ist ein Gerät zur Aufrüstung einer Sauna mit finnischem Saunofen. Durch die zusätzlich Installation des Verdampfers sind folgende Betriebsarten möglich:

- **Finnischer Saunabetrieb:** üblicherweise 80 bis 100 °C; ca. 10 % rel. Luftfeuchte
- **Kombi-Betrieb** (nur in Kombination mit einer Kombi-Steuerung): ca. 40 bis 65 °C, 35 % bis ca. 70 % Luftfeuchte. Die maximal zulässige Luftfeuchte sinkt mit steigender Temperatur.

Wenn Sie es wünschen, können Sie im Kombi-Betrieb Duftstoffe oder getrocknete Kräuter in die Keramikschale über dem Verdampfer geben. Der aufsteigende Dampf löst ätherische Öle aus den Kräutern bzw. verteilt die Duftstoffe in der Saunakabine.

## 4. Montage und Anschluss

Berücksichtigen Sie folgende Punkte bei der Montage und dem Anschluss des Zusatzverdampfers:



### **WARNUNG!** **Stromschlag-Gefahr**

- Führen Sie Montage- und Anschlussarbeiten am Zusatzverdampfer nur im spannungsfreien Zustand durch.
- 
- Der elektrische Anschluss darf nur durch eine Elektrofachkraft oder eine vergleichsweise qualifizierte Person ausgeführt werden.
  - Es ist bauseits eine allpolige Trennvorrichtung mit voller Abschaltung entsprechend der Überspannungskategorie III vorzusehen.
  - Der Zusatzverdampfer R ist für die Montage an der Saunawand vorgesehen.
  - Halten Sie bei der Montage die in 4.2. angegebenen Mindestabstände ein.

### 4.1. Montageort

Montieren Sie den Verdampfer an einer geeigneten Stelle an der Kabinenwand oder an Ihrem Saunaofen Concept R und beachten Sie dabei die angegebenen Sicherheitsabstände.

### 4.2. Sicherheitsabstände

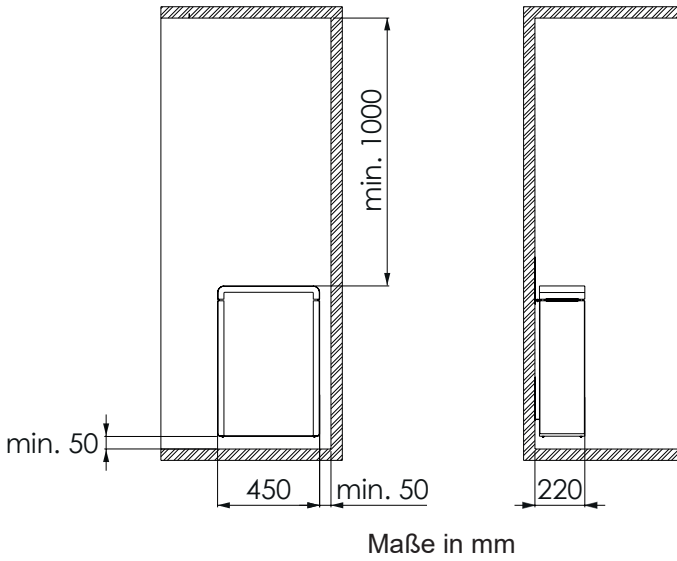
Beachten Sie die in der **Abb.1** (Seite **11**) angegebenen minimalen Sicherheitsabstände.

### 4.3. Montage an der Kabinenwand

Beachten Sie die **Abb. 1, Abb. 2, Abb. 3** und **Abb. 4** (Seite **11, 12**).

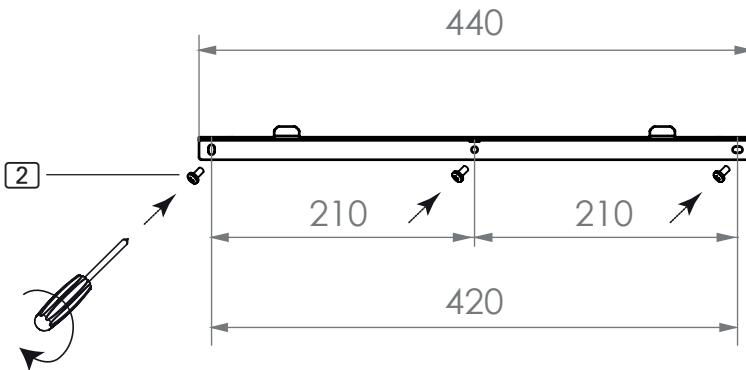
1. Befestigen Sie die Montageleiste **1** waagrecht mit den beiliegenden Holzschrauben **2** an der Wand. Beachten Sie dabei die Mindestabstände des Zusatzverdampfers in **Abb. 1**.
2. Hängen Sie den Verdampfer **3** von oben nach unten an der Montageleiste ein. Achten Sie dabei auf den bündigen Sitz des Verdampfers.
3. Sichern Sie den Verdampfer **3** mittels beiliegender Schraube **4** auf der Montageleiste **1**.

**Abb.1** Sicherheitsabstände Zusatzverdampfer RB 2,5 kW

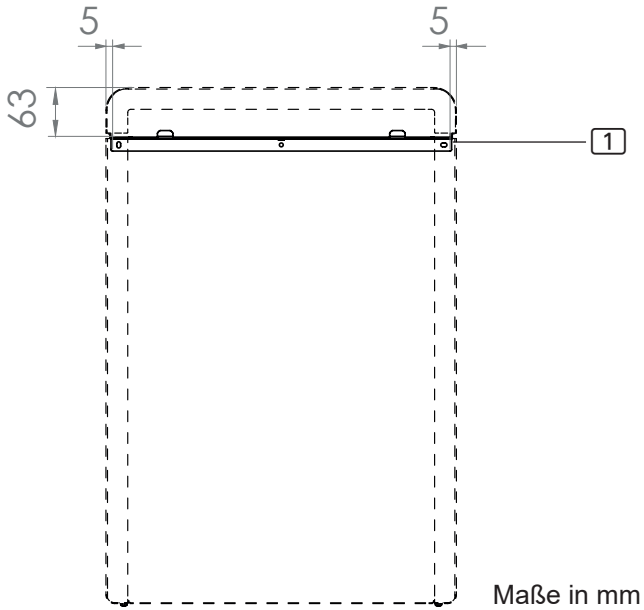


DE

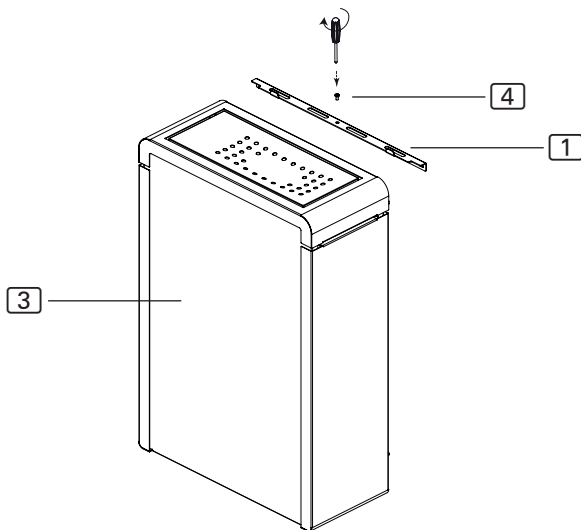
**Abb.2** Montageleiste Zusatzverdampfer RB 2,5 kW



**Abb.3** Position der Montageleiste



**Abb.4** Sicherung Zusatzverdampfer RB (Montageleiste) 2,5 kW



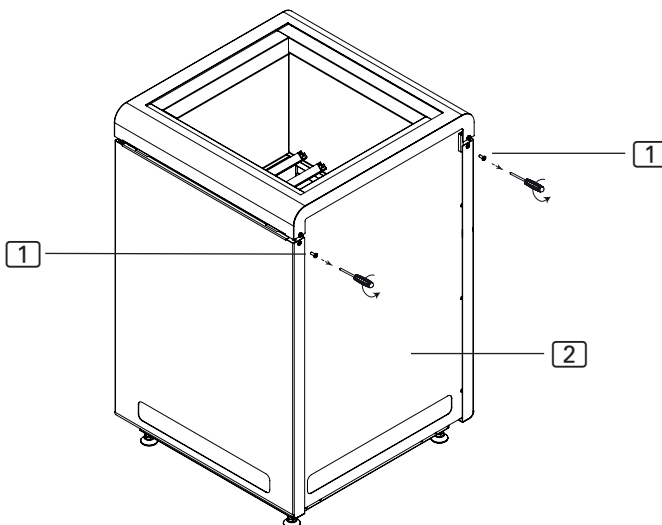
#### 4.4. Montage am Saunaofen Concept R

Ihr finnischer Concept R Saunaofen kann durch den Zusatzverdampfer R zu einem Kombi-Ofen erweitert werden. Beachten Sie dabei, dass Ihre Saunasteuerung für den Kombi-Betrieb geeignet ist.

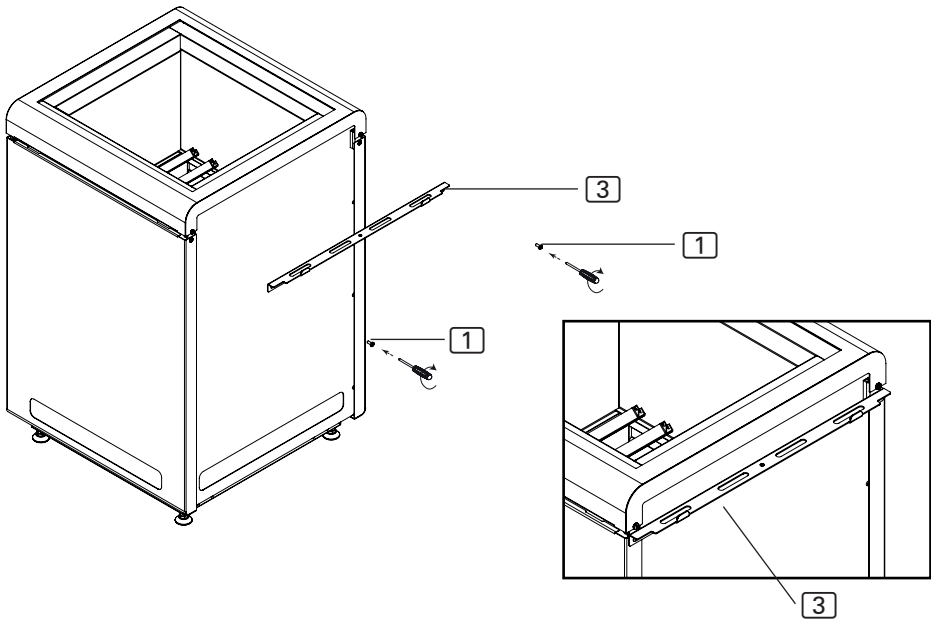
Beachten Sie die Sicherheitsabstände **Abb. 1** (Seite 11) und **Abb. 5, Abb. 6** **Abb. 7** (Seite 13, 14).

1. Lösen Sie auf der gewünschten Seite des Saunaofens Concept R **[2]** die Schrauben **[1]**.
2. Befestigen Sie die Montageleiste **[3]** wie in **Abb. 6** mit den Schrauben **[1]** am Saunaofen Concept R. Beachten Sie beim Aufstellort des Saunaofens, die Mindestabstände in der Bedienungsanleitung Ihres Ofens.
3. Hängen Sie den Verdampfer **[4]** von oben nach unten an der Montageleiste **[3]** ein. Achten Sie dabei auf den bündigen Sitz des Verdampfers.
4. Sichern Sie den Verdampfer **[4]** mittels beiliegender Schraube **[5]** auf der Montageleiste **[3]**.

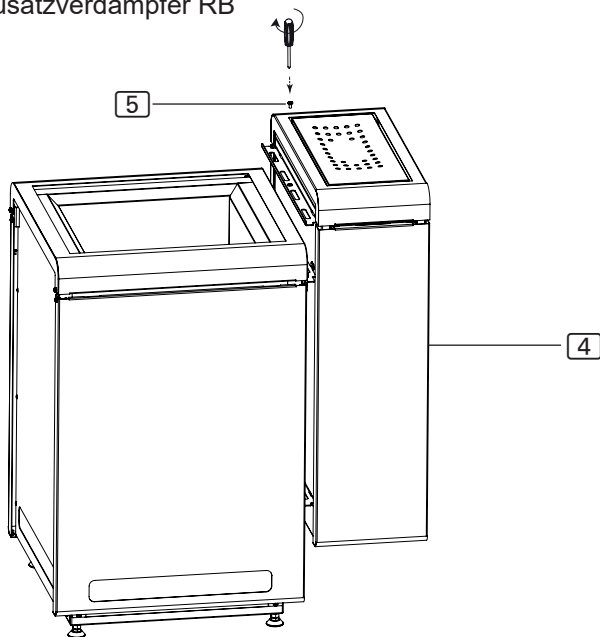
**Abb.5** Lösen der Schrauben am Saunaofen Concept R



**Abb.6** Befestigen der Montageleiste am Saunaofen Concept R



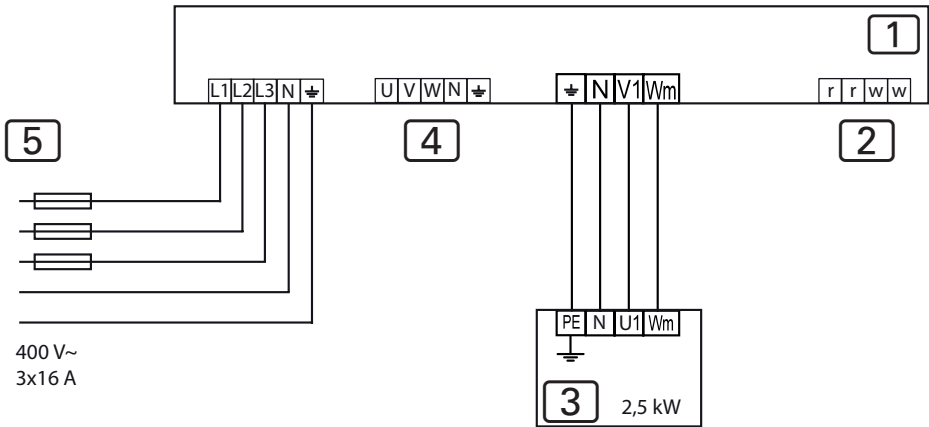
**Abb.7** Sicherung Zusatzverdampfer RB





### 4.5. Anschlussplan

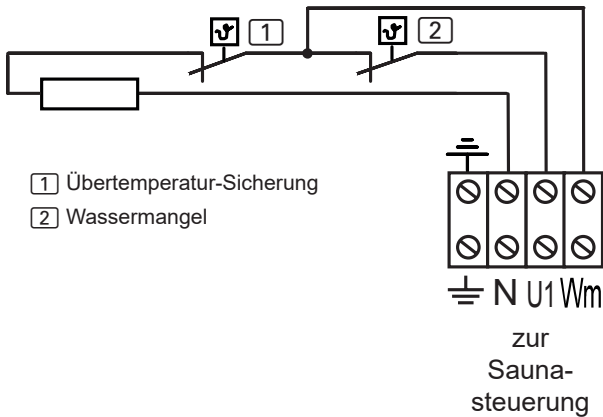
**Abb.8** Anschlussplan Zusatzverdampfer 2,5 kW



- 1 Saunasteuerung
- 2 Temperaturfühler mit Übertemperatur-Sicherung
- 3 Zusatzverdampfer 2,5 kW
- 4 Heizsystem 9 kW oder 10,5 kW
- 5 Stromversorgung

DE

**Abb.9** Verdrahtungsschemen - Heizsystem

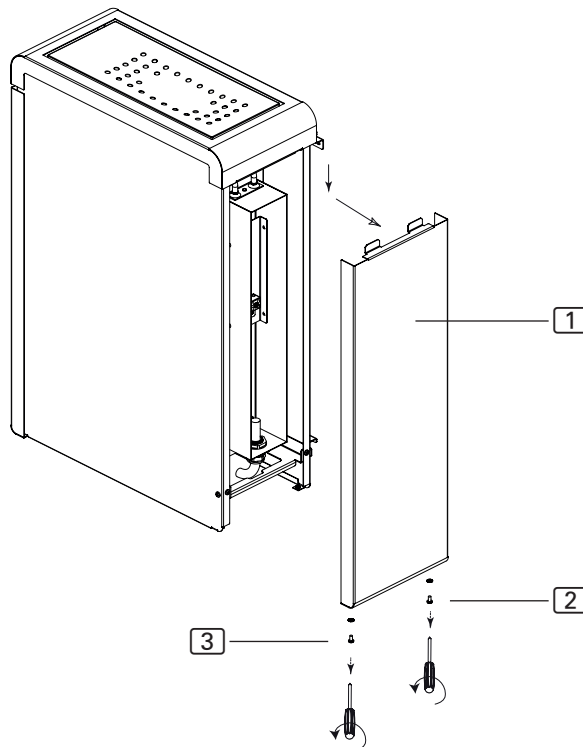


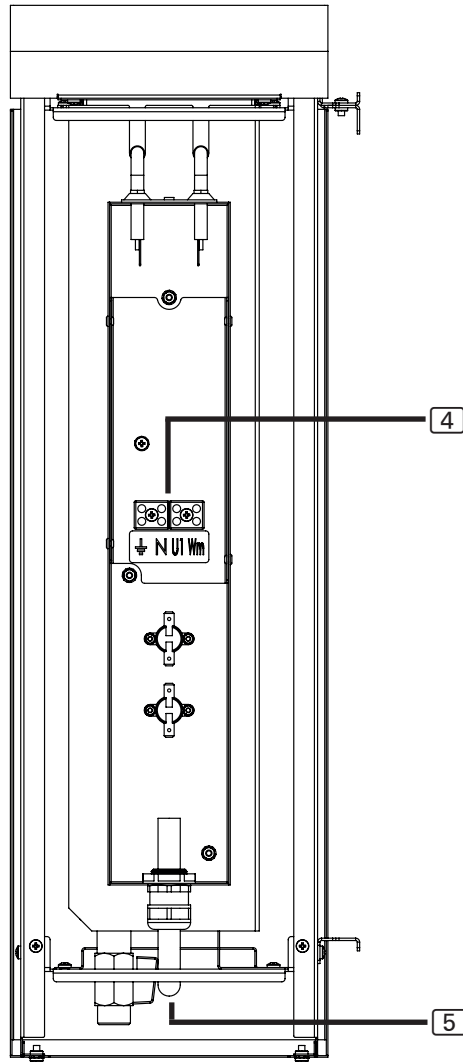
- 1 Übertemperatur-Sicherung
- 2 Wassermangel

## 4.6. Elektrischer Anschluss

1. Lösen Sie die Schrauben **2** und **3** mit einem Schraubendreher.
2. Entfernen Sie das Abdeckblech **1**.
3. Führen Sie das Anschlusskabel des Verdampfers durch die Durchführung **5**.
4. Schließen Sie die Adern dieses Anschlusskabels an den Klemmen PE – N – U1 – Wm an der Anschlussleiste **4** und an den passenden Klemmen der Saunasteuerung an. Beachten Sie dabei die Montageanleitung der Saunasteuerung.
5. Befestigen Sie das Abdeckblech **1** wieder am Zusatzverdampfer RB.

**Abb.10** Entfernen des Abdeckblechs



**Abb.11** Anschlussklemmen Zusatzverdampfer RB

- 4 Anschlussleiste für den Verdampfer
- 5 Durchführung für das Anschlusskabel

## 5. Inbetriebnahme

### 5.1. Keramikschaale einsetzen

- Setzen Sie die Keramikschaale auf den Verdampferbehälter - wie in der Abbildung unten gezeigt.

### 5.2. Erstmaliges Aufheizen



#### **VORSICHT!**

#### ***Rauch- und Geruchsbildung beim ersten Aufheizen***

Auf neuen Heizstäben befinden sich Betriebsstoffe aus dem Fertigungsprozess. Diese zersetzen sich beim ersten Aufheizen des Zusatzverdampfers. Dabei entsteht Rauch und unangenehmer Geruch. Wenn Sie diese Dämpfe oder den Rauch einatmen, schadet dies Ihrer Gesundheit.

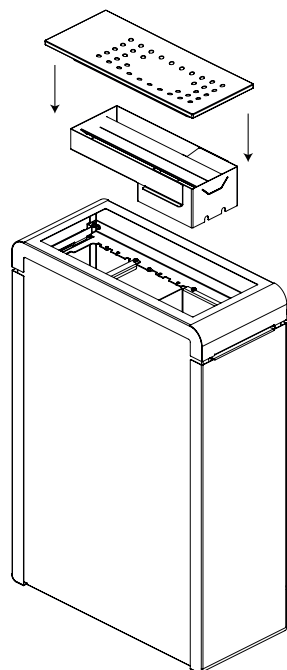
Führen Sie folgende Schritte durch, wenn Sie Ihren Zusatzverdampfer **erstmalig in Betrieb** nehmen oder wenn die **Heizstäbe Ihres Zusatzverdampfers getauscht** wurden. Sie verhindern so Gesundheitsschäden durch Dämpfe und Rauch, die beim ersten Aufheizen entstehen.

#### 1. Verdampfer erstmalig aufheizen

- a. Wählen Sie an der Saunsteuerung eine niedrige Temperatur und eine hohe Luftfeuchte.
- b. Heizen Sie den Verdampfer **OHNE** Wasser auf.

**Halten Sie sich während dieser Zeit NICHT in der Saunakabine auf.**

- ▶ Nach ca. 15 Minuten schaltet die Übertemperatursicherung den Verdampfer aus.
- c. Lassen Sie den Verdampfer abkühlen (ca. eine halbe Stunde).
  - d. Wiederholen Sie Punkt 1.b.
  - e. Lüften Sie nach dem Aufheizen die Saunakabine gut durch.



- f. Wenn beim nächsten Aufheizen kein Rauch und kein Geruch mehr entstehen, spülen sie den abgekühlten Verdampfer mit Leitungswasser. Danach können Sie mit dem ersten Saunabad beginnen. Wenn erneut Rauch oder Geruch entsteht, verlassen Sie sofort die Saunakabine und wiederholen Sie das erstmalige Aufheizen mit anschließendem Lüften.

## 6. Bedienung

Die Bedienung des Zusatzverdampfers R erfolgt über eine Saunasteuerung. Für Informationen zur Bedienung der Saunasteuerung lesen Sie die Bedienungsanleitung des verwendeten Geräts.

### 6.1. Finnischer Saunabetrieb

Beim finnischen Saunabetrieb ist nur das Heizsystem Ihres Saunaofens im Betrieb. Es steht trockene Wärme zur Verfügung. Die Temperatur in der Kabine ist hoch (80 bis 100 °C). Die Feuchtwerte sind mit maximal 10 % gering. Die Temperatur in der Saunakabine wird durch Ihre Saunasteuerung geregelt.

Am Ende des Saunaganges können Sie einen Aufguss durchführen. Gießen Sie dazu Wasser mit einer Saunakelle über die Saunasteine. Dadurch wird das Wasser verdampft und die Luftfeuchtigkeit in der Saunakabine erhöht.

Beachten Sie die Anleitung Ihres Saunaofens.

### 6.2. Kombi-Betrieb

Im Kombi-Betrieb sind das Heizsystem des Saunaofens und der Zusatzverdampfer im Betrieb. Die Temperatur in der Saunakabine ist niedriger als im finnischen Saunabetrieb (ca. 40 bis 65 °C), dafür ist die relative Luftfeuchte mit 35 % bis ungefähr 70 % wesentlich höher. Die maximal zulässige Luftfeuchte sinkt mit steigender Temperatur. Die Temperatur und die Luftfeuchte in der Saunakabine werden durch Ihre Saunasteuerung geregelt.

Der Verdampferbehälter muss händisch befüllt werden. Wenn der Wasservorrat im Verdampferbehälter aufgebraucht ist, schaltet ein Überhitzungsschutz die Heizung des Verdampfers automatisch aus. Der Wassermangel wird an die Saunasteuerung gemeldet und wird dort angezeigt, z.B. durch einen akustischen Warnton und die Meldung „FILL“.



Mit dem Auto-Refill-Set (CP-RC-AF) ist ein Festwasseranschluss und damit eine automatische Befüllung des Verdampferbehälters möglich.

---

## **ACHTUNG!**

### ***Beschädigung des Verdampfers***

Meerwasser, stark kalkhaltiges und chloriertes Wasser, Kräuter, Essenzen oder Duftstoffe können den Verdampfer beschädigen.

- Befüllen Sie den Verdampferbehälter nur mit Leitungswasser.
- Geben Sie Kräuter, Essenzen oder Duftstoffe nicht direkt in den Verdampferbehälter, sondern nur in die Keramikschaale über dem Verdampfer.
- Entkalken Sie den Verdampfer regelmäßig (siehe **7.3.** auf Seite **22**).

---

## **Verdampfer befüllen**

### **VORSICHT!**



#### ***Verbrühungsgefahr***

Wenn Sie Wasser in den heißen Verdampferbehälter gießen, entsteht heißer Dampf.

- Gießen Sie NIEMALS Wasser in den heißen Verdampferbehälter.
- Kontrollieren und befüllen Sie den Verdampferbehälter jedesmal bevor Sie den Kombi-Betrieb starten.
- Wenn der Überhitzungsschutz die Heizung des Verdampfers abgeschaltet hat oder Ihre Saunasteuerung einen Wassermangel meldet, lassen Sie den Verdampfer abkühlen **BEVOR** Sie Wasser in den Verdampferbehälter gießen.

---

### **VORSICHT!**



#### ***Verbrühungsgefahr***

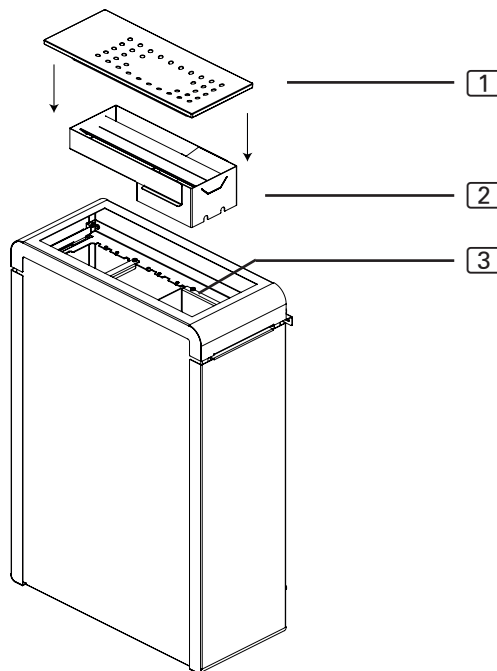
Wenn der Verdampferbehälter zu voll ist, spritzt kochendes Wasser aus dem Verdampferbehälter.

- Befüllen Sie den Verdampferbehälter nur bis zur Maximalmarke.

- 
1. Entfernen Sie die Keramikschaale **[1]** und den Dampftrichter **[2]**.
  2. Stellen Sie ein Auffanggefäß (mindestens 5 Liter) unter den Kugelhahn am Verdampferboden.
  3. Drehen Sie den Kugelhahn nach links bis das Restwasser ausfließt.
  4. Wenn der Verdampferbehälter **[3]** leer ist, schließen Sie den Kugelhahn.

5. Befüllen Sie den Verdampferbehälter **3** mit frischem Leitungswasser bis zur Maximalmarke. Dazu benötigen Sie etwa 5 Liter Wasser. Mit dieser Wassermenge kann der Verdampfer ungefähr 1 Stunde betrieben werden.
6. Setzen Sie die Keramikschale **1** und den Dampftrichter **2** wieder ein.

**Abb.12** Zusammensetzen des Verdampfers



DE

### **Verwendung von Duftstoffen und Kräutern**

Wenn Sie es wünschen, können Sie Duftstoffe oder getrocknete Kräuter in die Keramikschale geben. Beachten Sie dabei folgende Punkte:

- Geben Sie Duftstoffe nicht direkt in den Verdampferbehälter.
- Beachten Sie die Herstellerangaben auf der Verpackung der Kräuter und Duftstoffe.



#### **VORSICHT!**

#### **Verbrühungsgefahr**

Befüllen Sie die Keramikschale bzw. den Dampftrichter vorsichtig, damit die Duftstoffe nicht in den Verdampferbehälter tropfen. Andernfalls kann es zum Übersäumen des kochenden Wassers kommen.

## 7. Wartung

### 7.1. Verdampferbehälter reinigen

Entleeren und reinigen Sie den Verdampferbehälter nach jedem Gebrauch. Führen Sie dazu folgende Schritte durch:

1. Warten Sie bis das Wasser im Verdampfer abgekühlt ist.
2. Stellen Sie ein Auffanggefäß unter den Kugelhahn am Verdampferboden.
3. Drehen Sie den Kugelhahn nach links bis das Restwasser ausfließt.
4. Wenn der Verdampferbehälter **3** leer ist, schließen Sie den Kugelhahn.
5. Entfernen Sie die Keramikschale **1** und den Dampftrichter **2**.
6. Reinigen Sie den Verdampferbehälter **3** und den Dampftrichter **2** mit einer Haushaltsbürste mit Kunststoffborsten. Spülen Sie mit Wasser nach.
7. Setzen Sie die Keramikschale **1** und den Dampftrichter **2** wieder ein.

### 7.2. Keramikschale reinigen

Reinigen Sie die Keramikschale **1** für Kräuter und Essenzen nach Bedarf in der Geschirrspülmaschine.

### 7.3. Verdampferbehälter entkalken

Entkalken Sie den Verdampferbehälter **3** nach Bedarf. Verwenden Sie dazu ein Entkalkungsmittel für Haushaltsgeräte. Beachten Sie dabei die Vorgaben und Sicherheitshinweise des Herstellers.

1. Bereiten Sie die Entkalkungslösung nach den Herstellerangaben vor.
2. Befüllen Sie den Verdampfer mit der Entkalkungslösung bis zur Maximalmarke.
3. Lassen Sie die Entkalkungslösung 10 Minuten kochen. **Halten Sie sich während dieser Zeit NICHT in der Saunakabine auf.**
4. Warten Sie bis die Entkalkungslösung im Verdampfer abgekühlt ist.
5. Lüften Sie danach die Saunakabine gut durch.
6. Stellen Sie ein Auffanggefäß unter den Kugelhahn am Verdampferboden und entleeren Sie den Verdampferbehälter.
7. Spülen Sie den Verdampferbehälter 2 mal mit Leitungswasser.



## 8. Problemlösung

**Problem:** Verdampfer funktioniert nicht obwohl Spannung anliegt.

**Problemlösung:** Übertemperatur-Sicherung überprüfen:



**WARNUNG!**

**Stromschlag-Gefahr**

- Führen Sie folgende Arbeiten nur im spannungsfreien Zustand durch.

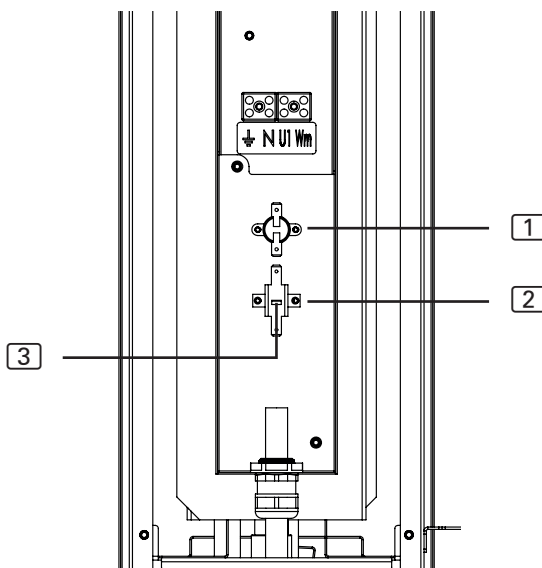
Im Anschlussbereich des Zusatzverdampfers befinden sich 2 Temperaturschalter:

- **1 Temperaturschalter**

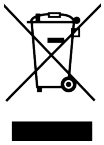
Selbstrückstellende Temperatursicherung. Diese löst aus, wenn sich im Verdampferbehälter zu wenig Wasser befindet. Der Heizstab wird abgeschaltet und die Saunasteuerung gibt eine Fehlermeldung aus.

- **2 Übertemperatursicherung**

Diese Sicherung löst aus, wenn der Verdampferbehälter zu heiß wird und verhindert dadurch, dass der Heizstab Schaden nimmt. Um die Sicherung rückzustellen, drücken Sie auf den Metall-Bügel **3**, welcher sich mittig auf der Sicherung befindet.



## 9. Entsorgung



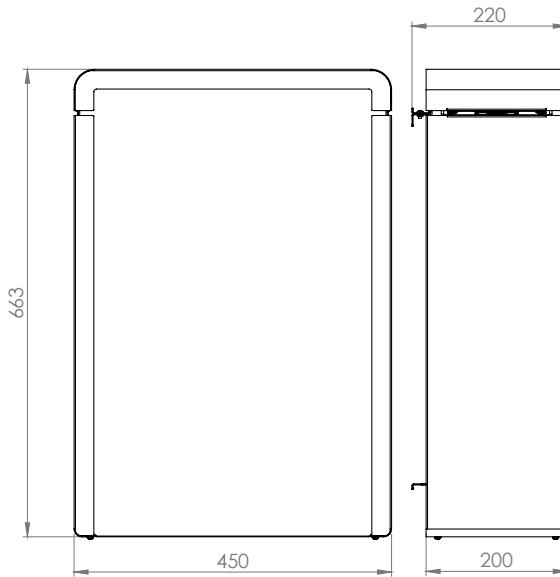
- Entsorgen Sie die Verpackungsmaterialien nach den gültigen Entsorgungsrichtlinien.
- Altgeräte enthalten wiederverwendbare Materialien, aber auch schädliche Stoffe. Geben Sie Ihr Altgerät deshalb auf keinen Fall in den Restmüll, sondern entsorgen Sie das Gerät nach den örtlich geltenden Vorschriften.

## 10. Technische Daten

Die Abmessungen des Zusatzverdampfer RB entnehmen Sie der **Abb. 13**.

Artikelnummer	Leistung Verdampfer [kW]	Gewicht [kg]	Absicherung [A]	Versorgung
CP-25STP-B	2,5	18	16	230V AC 1N~ 50/60Hz

**Abb.13** Abmessungen Zusatzverdampfer RB



Maße in mm

DE

Ersatzteile	Artikelnummer	
Heizstab	1-044-997	1
Temperaturschalter	1-026-881	1
Übertemperatursicherung	1-027-243	1



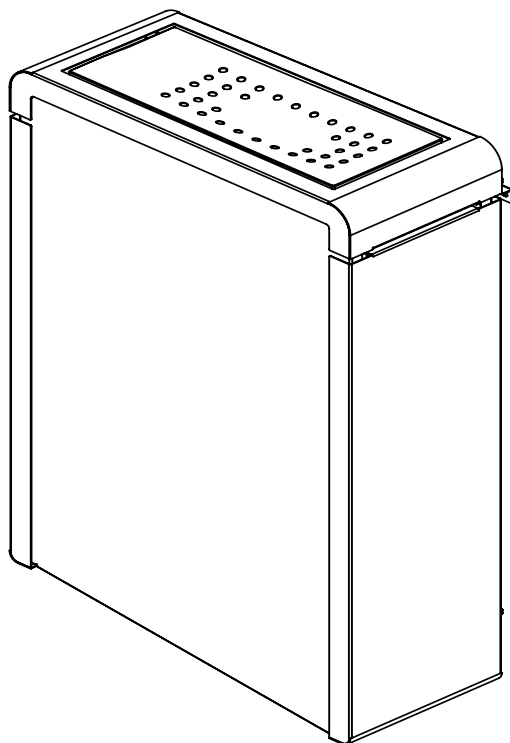


# Évaporateur

## RB 2,5 kW

1-027-762 / CP-25-STP-B

INSTRUCTIONS DE MONTAGE ET MODE D'EMPLOI  
Français



FR

# Table des matières

<b>1. Concernant ces instructions</b>	<b>4</b>
<b>2. Remarques importantes pour votre sécurité</b>	<b>5</b>
2.1. Usage conforme	5
2.2. Consignes de sécurité pour le monteur	6
2.3. Consignes de sécurité pour l'utilisateur	7
<b>3. Description du produit</b>	<b>9</b>
3.1. Contenu de la livraison	9
3.2. Accessoires	9
3.3. Fonctions du produit	9
<b>4. Montage et raccordement</b>	<b>10</b>
4.1. Lieu de montage	10
4.2. Distances de sécurité	10
4.3. Montage sur la paroi de la cabine	10
4.4. Montage sur le poêle de sauna Concept R	13
4.5. Schéma de raccordement	15
4.6. Branchements électriques	16
<b>5. Mise en service</b>	<b>18</b>
5.1. Utilisation du bol en céramique	18
5.2. Premier chauffage	18
<b>6. Utilisation</b>	<b>19</b>
6.1. Mode sauna finlandais	19
6.2. Mode mixte	19

<b>7. Entretien</b>	<b>22</b>
7.1. Nettoyage du conteneur de l'évaporateur .....	22
7.2. Nettoyage du bol en céramique.....	22
7.3. Détartrage du conteneur de l'évaporateur.....	22
<b>8. Dépannage</b>	<b>23</b>
<b>9. Retraitement</b>	<b>24</b>
<b>10. Caractéristiques techniques</b>	<b>25</b>

# 1. Concernant ces instructions

Lisez attentivement ces instructions de montage et ce mode d'emploi et conservez-les à proximité du sauna. Vous pouvez ainsi consulter à tout moment des informations concernant son utilisation et relatives à votre sécurité.



Ces instructions de montage et ce mode d'emploi sont également disponibles dans la rubrique de téléchargement de notre site Internet [www.sentiotec.com/downloads](http://www.sentiotec.com/downloads).

## ***Symboles d'avertissement***

Dans les instructions de montage et le mode d'emploi, un avertissement précède les activités représentant un danger. Conformez-vous impérativement à ces avertissements. Vous éviterez ainsi des dommages matériels et des blessures qui, dans le pire des cas, peuvent être mortelles.

Ces avertissements utilisent des termes clés qui ont la signification suivante :



### **DANGER !**

Si vous ne respectez pas cet avertissement, il y a un risque de blessures graves, voire mortelles.



### **AVERTISSEMENT !**

Si vous ne respectez pas cet avertissement, il y a un risque éventuel de blessures graves, voire mortelles.



### **PRUDENCE !**

Si vous ne respectez pas cet avertissement, il y a un risque éventuel de blessures légères.

## **ATTENTION !**

Ce terme clé vous avertit de dommages matériels éventuels.

## ***Autres symboles***



Ce symbole désigne les conseils et indications utiles.



Lire le mode d'emploi



PRUDENCE : vapeur d'eau chaude



## **2. Remarques importantes pour votre sécurité**

L'évaporateur supplémentaire RB est construit selon des règles techniques de sécurité reconnues. Cependant, des dangers peuvent survenir lors de l'utilisation. C'est pourquoi vous devez suivre les consignes de sécurité suivantes et les avertissements spécifiques des différents chapitres.

### **2.1. Usage conforme**

L'évaporateur supplémentaire RB doit être utilisé uniquement pour augmenter l'humidité de l'air dans une cabine de sauna et ce uniquement en combinaison avec une commande de sauna avec fonction d'évaporateur et avec un poêle de sauna.

Toute autre utilisation est considérée comme un usage non conforme. Un usage non conforme peut endommager le produit et provoquer de graves blessures, voire la mort.

## 2.2. Consignes de sécurité pour le monteur

- Les travaux de montage et de raccordement de l'évaporateur supplémentaire doivent être effectués uniquement lorsque l'appareil n'est pas sous tension.
- Seul un électricien spécialisé ou une personne ayant une qualification similaire est habilité à procéder au montage.
- Un dispositif de coupure totale du circuit sur tous les pôles (catégorie de surtension III) doit être prévu par le client.
- Pour le raccordement de l'évaporateur supplémentaire, utilisez exclusivement des lignes en silicone résistant à des températures allant jusqu'à 150 °C.
- Les plafonds et parois de la cabine de sauna doivent être fabriqués en bois peu résineux, non traités ou traités thermiquement, par ex. pin nordique, tsuga, pin ou sapin, ou en matériaux composés de couches de bois. En cas d'utilisation de matériaux composés de couches de bois, veillez à ce que leurs colles n'émettent pas de formaldéhyde. Si d'autres matériaux que le bois sont utilisés dans la cabine de sauna, ils doivent résister à la chaleur et à la corrosion et ne doivent avoir aucun effet négatif sur la santé des utilisateurs du sauna.
- Lors de l'installation de l'évaporateur supplémentaire R, respectez les distances minimales de sécurité (voir chapitre **4.2. Distances de sécurité** à la page **11**).
- Respectez également les dispositions légales du lieu d'installation.
- En cas de problèmes insuffisamment traités dans les instructions de montage, adressez-vous à votre fournisseur pour votre propre sécurité.

### 2.3. Consignes de sécurité pour l'utilisateur

- L'appareil ne doit pas être utilisé par des enfants de moins de 8 ans.
- L'appareil peut être utilisé par des enfants de plus de 8 ans, par des personnes ayant des capacités psychiques, sensorielles ou mentales limitées et par des personnes manquant d'expérience et de connaissances aux conditions suivantes :
  - sous surveillance.
  - lorsque l'utilisation en toute sécurité leur a été montrée et qu'ils comprennent les dangers qui peuvent survenir.
- Les enfants ne doivent pas jouer avec l'appareil.
- Les enfants de moins de 14 ans peuvent nettoyer l'appareil uniquement s'ils sont surveillés.
- Pour des raisons de santé, n'utilisez pas la cabine lorsque vous êtes sous l'influence de l'alcool, de médicaments ou de drogues.
- **AVANT** de commencer à utiliser le sauna, faites chauffer l'évaporateur supplémentaire pendant une demi-heure. Pendant ce temps, **NE** restez **PAS** dans la cabine de sauna. Ensuite, aérez bien la cabine de sauna (voir **5.2. Premier chauffage** à la page **18**).

- Assurez-vous qu'aucun objet inflammable ne se trouve sur le poêle de sauna et l'évaporateur supplémentaire avant de mettre en marche la commande de sauna.
- Ne touchez jamais l'évaporateur supplémentaire pendant son fonctionnement. La surface de l'évaporateur supplémentaire devient très chaude.
- Pendant le fonctionnement, évitez le contact direct avec la vapeur qui s'échappe. La vapeur qui s'échappe est très chaude, il y a un risque de brûlure.
- Ne placez pas les herbes, les essences ou les parfums directement dans le conteneur de l'évaporateur, mais dans le bol en céramique situé au-dessus de l'évaporateur.
- NE versez JAMAIS d'eau dans le conteneur chaud de l'évaporateur. Contrôlez et remplissez le conteneur de l'évaporateur avant chaque fonctionnement mixte. Si la protection contre la surchauffe a éteint le chauffage de l'évaporateur ou si votre commande de sauna signale un manque d'eau, laissez l'évaporateur refroidir AVANT de verser de l'eau dans le conteneur de l'évaporateur. Pendant toute la phase où l'appareil est rempli d'eau et nettoyé, il doit être débranché.
- Pour votre sécurité, adressez-vous à votre fournisseur si le mode d'emploi ne traite pas exhaustivement de certains problèmes.

## 3. Description du produit

### 3.1. Contenu de la livraison

- Évaporateur supplémentaire avec baguette de montage
- Instructions de montage et mode d'emploi
- Bol en céramique pour les herbes et les parfums

### 3.2. Accessoires

<i>Accessoires</i>	<i>Numéro de produit</i>
Remplissage automatique	CP-RC-AF
Kit de fixation pour rambarde	CP-RM-HSR-4S
Rambarde en bois évaporateur supplémentaire TILLEUL	CP-RM-L-4S
Rambarde en bois évaporateur supplémentaire NOYER	CP-RM-N-4S

### 3.3. Fonctions du produit

L'évaporateur supplémentaire RB est un appareil permettant d'équiper un sauna avec un poêle pour sauna finlandais. L'installation supplémentaire de l'évaporateur permet les modes de fonctionnement suivants :

- **Mode sauna finlandais** : généralement entre 80 et 100 °C, humidité relative de l'air env. 10 %
- **Mode mixte** (uniquement en combinaison avec une commande mixte) : env. 40 à 65 °C, 35 % à env. 70 % d'humidité de l'air. Plus la température augmente, plus l'humidité de l'air maximale autorisée baisse.  
En fonctionnement mixte, vous pouvez placer des parfums ou des herbes séchées dans le bol en céramique au-dessus de l'évaporateur. La vapeur montante extrait les huiles essentielles des herbes et diffuse les parfums dans la cabine de sauna.

## 4. Montage et raccordement

Tenez compte des points suivants lors du montage et du raccordement de l'évaporateur supplémentaire :



### **AVERTISSEMENT !** **Risque d'électrocution**

- Effectuez les travaux de montage et de raccordement de l'évaporateur supplémentaire uniquement lorsque celui-ci n'est pas sous tension.
- Seul un électricien spécialisé ou une personne ayant une qualification similaire est habilité à procéder au raccordement électrique.
- Un dispositif de coupure totale du circuit sur tous les pôles (catégorie de surtension III) doit être prévu par le client.
- L'évaporateur supplémentaire R est conçu pour le montage sur la paroi du sauna.
- Lors du montage, respectez les distances de sécurité minimales indiquées dans 4.2.

### 4.1. Lieu de montage

Montez l'évaporateur à un endroit adapté sur la paroi de la cabine ou sur votre poêle de sauna Concept R, tout en respectant les distances minimales de sécurité indiquées.

### 4.2. Distances de sécurité

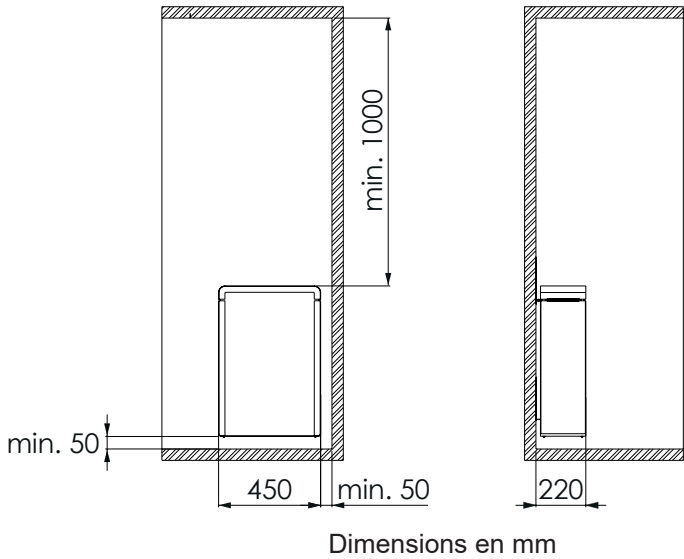
Respectez les distances de sécurité minimales indiquées dans **Fig. 1** (page **13**).

### 4.3. Montage sur la paroi de la cabine

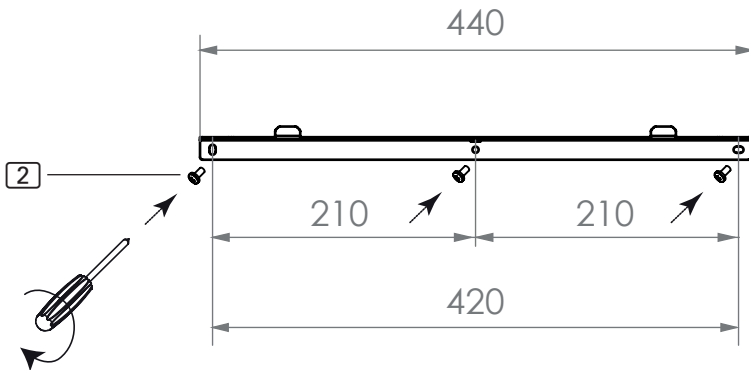
Reportez-vous aux **Fig. 1**, **Fig. 2**, **Fig. 3** et **Fig. 4** (page **11**, **12**).

1. Fixez la barre de montage **1** horizontalement au mur avec les vis à bois **2** fournies. Respectez les distances minimales de l'évaporateur supplémentaire indiquées dans la **Fig. 1**.
2. Accrochez l'évaporateur **3** du haut vers le bas à la barre de montage. Veillez à ce qu'il soit parfaitement affleurant.
3. Fixez l'évaporateur **3** à la barre de montage **1** avec la vis fournie **4**.

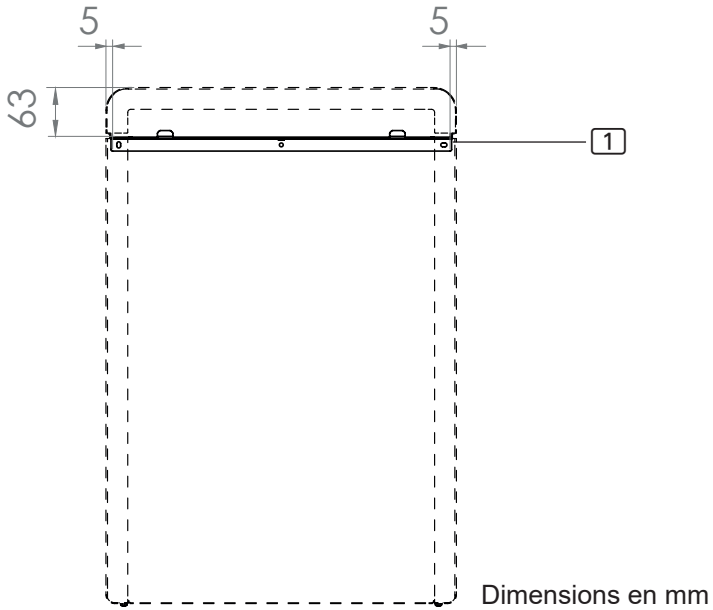
**Fig. 1** Distances de sécurité évaporateur supplémentaire RB 2,5 kW



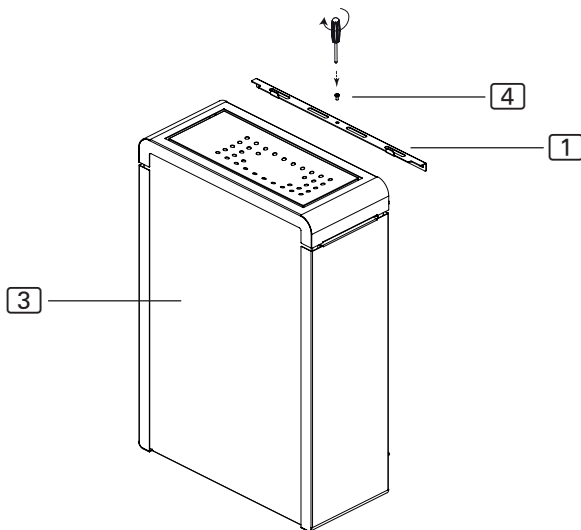
**Fig. 2** Barre de montage évaporateur supplémentaire RB 2,5 kW



**Fig. 3** Position de la barre de montage



**Fig. 4** Fixation évaporateur supplémentaire RB (barre de montage) 2,5 kW





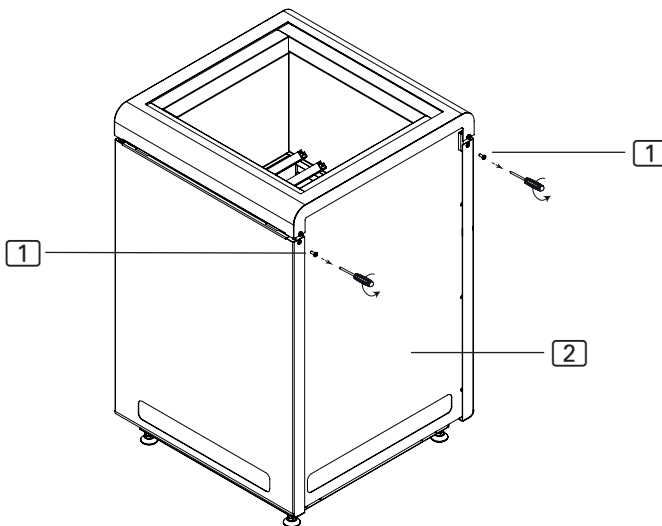
#### 4.4. Montage sur le poêle de sauna Concept R

Votre poêle de sauna finlandais Concept R peut être étendu par l'évaporateur supplémentaire R afin de former un poêle mixte. Pour ce faire, veillez à ce que votre commande de sauna soit adaptée au mode mixte.

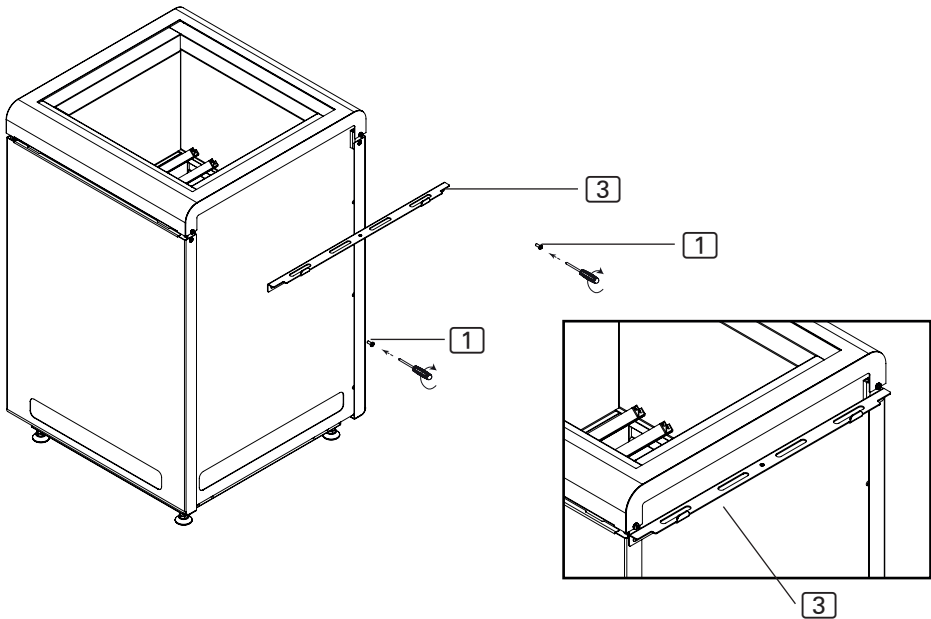
Respectez les distances de sécurité, **Fig. 1** (page 11) et **Fig. 5**, **Fig. 6**, **Fig. 7** (page 13, 14).

1. Du côté souhaité du poêle de sauna Concept R **[2]**, desserrez les vis **[1]**.
2. Fixez la barre de montage **[3]** comme dans le **Fig. 6** avec les vis **[1]** sur le poêle de sauna Concept R. Sur le lieu d'installation du poêle de sauna, respectez les distances minimales données dans le mode d'emploi de votre poêle.
3. Accrochez l'évaporateur **[4]** du haut vers le bas à la barre de montage **[3]**. Veillez à ce qu'il soit parfaitement affleurant.
4. Fixez l'évaporateur **[4]** à la barre de montage **[3]** avec la vis fournie **[5]**.

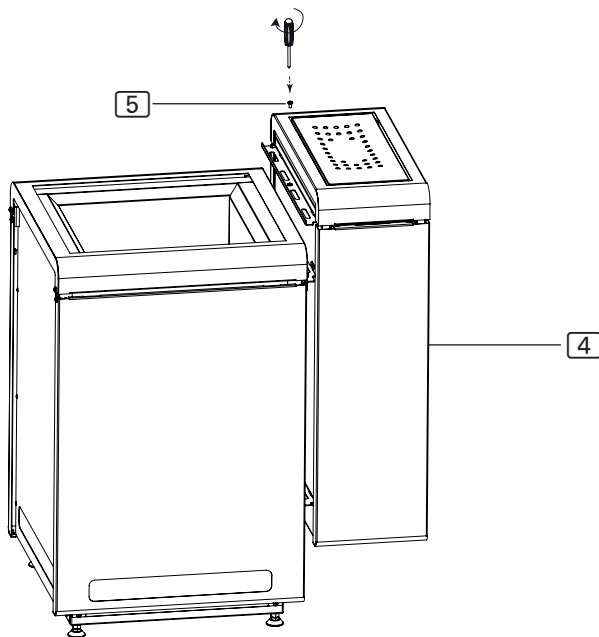
**Fig. 5** Retrait des vis sur le poêle de sauna Concept R



**Fig. 6** Fixation de la barre de montage sur le poêle de sauna Concept R

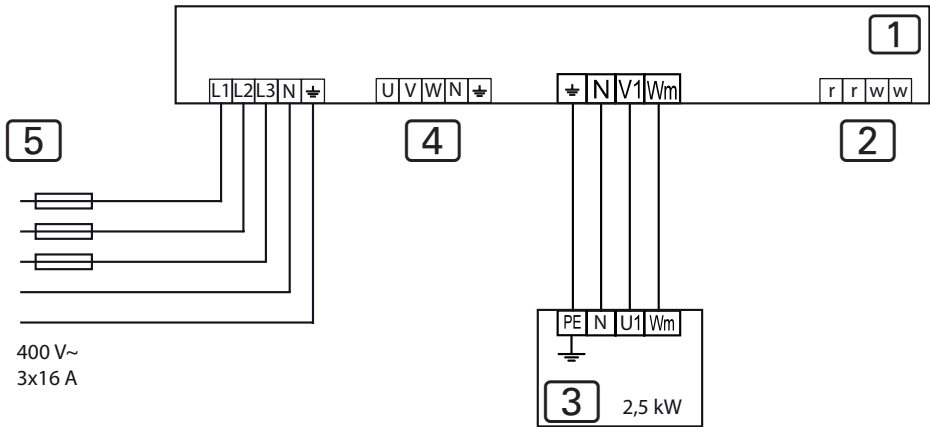


**Fig. 7** Fixation évaporateur supplémentaire RB



## 4.5. Schéma de raccordement

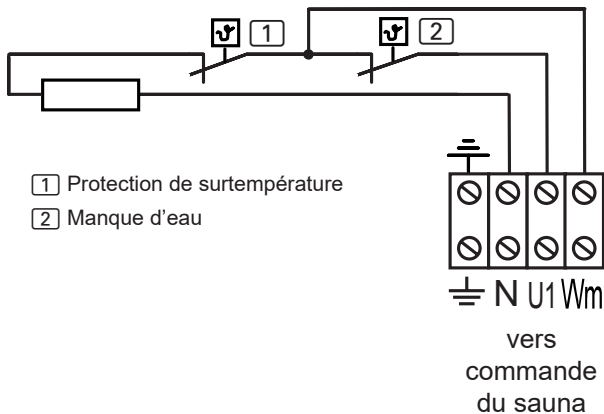
**Fig. 8** Plan de raccordement évaporateur supplémentaire 2,5 kW



- ① Commande de sauna
- ② Sonde de température avec dispositif de protection contre la surtempérature
- ③ Évaporateur supplémentaire 2,5 kW
- ④ Système de chauffage 9 kW ou 10,5 kW
- ⑤ Alimentation électrique

FR

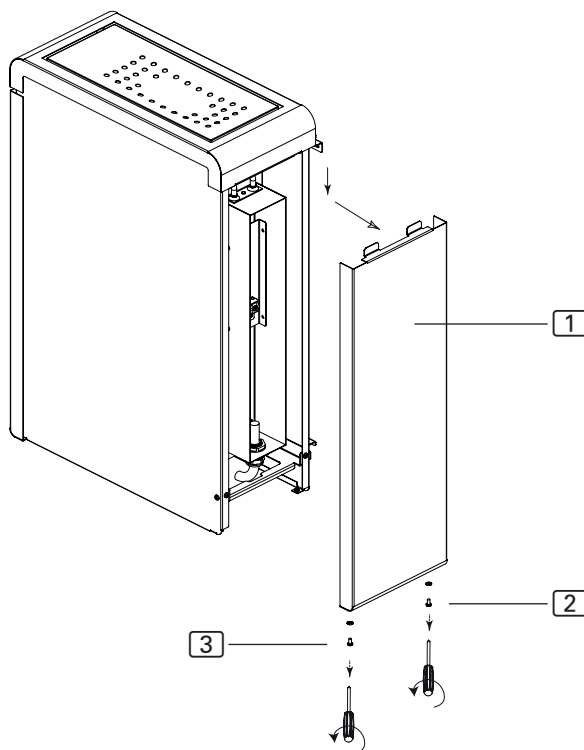
**Fig. 9** Schémas de câblage - Système de chauffage



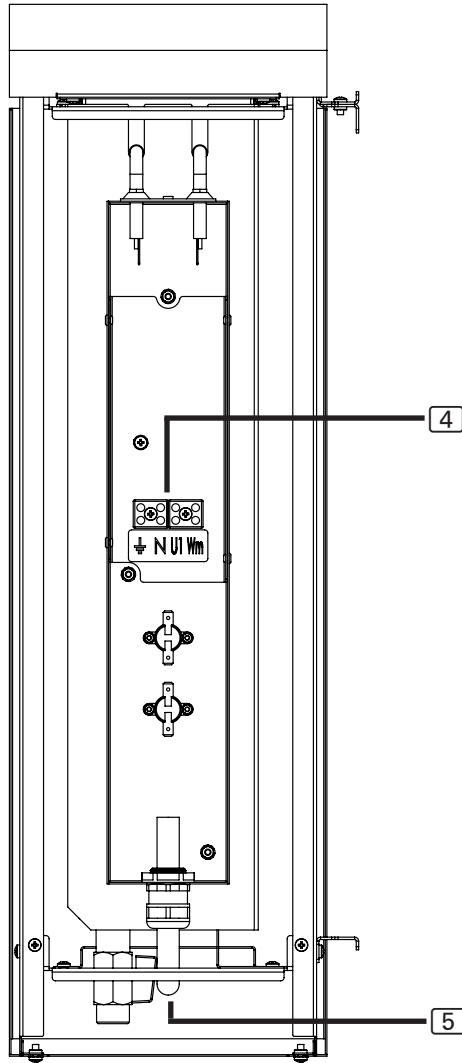
## 4.6. Branchements électriques

1. Desserrez les vis **2** et **3** à l'aide d'un tournevis.
2. Retirez le cache en tôle **1**.
3. Faites passer le câble de raccordement de l'évaporateur par le passage de câbles **5**.
4. Raccordez les fils de ce câble de raccordement aux bornes PE – N – U1 – Wm de la barre de raccordement **4** et aux bornes correspondantes de la commande du sauna. Ce faisant, conformez-vous aux instructions de montage de la commande du sauna.
5. Refixez le cache en tôle **1** sur l'évaporateur supplémentaire.

**Fig. 10** Dépose du cache en tôle



**Fig. 11** Bornes de raccordement évaporateur supplémentaire RB



4 Barre de raccordement pour l'évaporateur

5 Passage pour le câble de raccordement

## 5. Mise en service

### 5.1. Utilisation du bol en céramique

- Placez le bol en céramique sur le conteneur de l'évaporateur - comme indiqué sur l'illustration ci-dessous.

### 5.2. Premier chauffage



#### PRUDENCE !

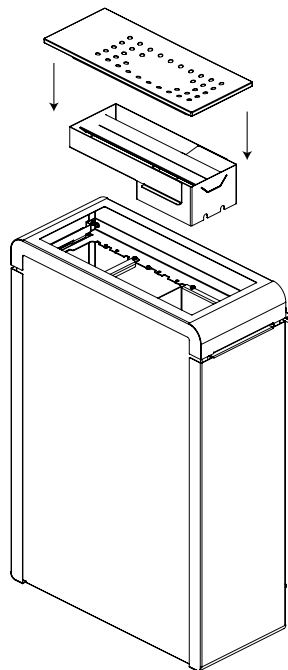
#### *Formation de fumée et de mauvaises odeurs lors du premier chauffage*

Sur les thermoplongeurs neufs se trouvent des matières consommables issues du processus de fabrication. Celles-ci se décomposent lors du premier chauffage de l'évaporateur supplémentaire. Cela provoque de la fumée et des odeurs désagréables. Le fait de respirer ces vapeurs ou la fumée nuit à votre santé.

Procédez aux opérations suivantes lorsque vous mettez votre évaporateur supplémentaire **en service pour la première fois** ou lorsque les **thermo-plongeurs de votre évaporateur supplémentaire ont été remplacés**. Vous évitez ainsi des dommages de santé provoqués par les vapeurs et la fumée se formant lors du premier chauffage.

#### 1. Premier chauffage de l'évaporateur

- a. Sur la commande de sauna, sélectionnez une température faible et une humidité de l'air élevée.
- b. Faites chauffer l'évaporateur **SANS** eau. **Pendant ce temps, NE restez PAS dans la cabine de sauna.**
  - ▶ Au bout d'env. 15 minutes, le limiteur de température de sécurité éteint l'évaporateur.
- c. Laissez refroidir l'évaporateur (env. une demi-heure).
- d. Répétez le point 1.b.
- e. Après le chauffage, aérez bien la cabine de sauna.



- f. Si plus aucune fumée ni aucune odeur ne se forment lors du prochain chauffage, rincez l'évaporateur refroidi avec de l'eau du robinet. Vous pouvez ensuite commencer votre première séance de sauna. Si de la fumée ou des odeurs apparaissent de nouveau, quittez immédiatement la cabine de sauna et répétez la procédure de premier chauffage, suivie d'une aération.

## 6. Utilisation

L'utilisation de l'évaporateur supplémentaire R s'effectue par l'intermédiaire d'une commande de sauna. Pour obtenir des informations concernant l'utilisation de la commande pour sauna, lisez le mode d'emploi de l'appareil correspondant.

### 6.1. Mode sauna finlandais

En mode sauna finlandais, seul le système de chauffage de votre poêle de sauna fonctionne. La chaleur disponible est sèche. La température dans la cabine est élevée (de 80 à 100 °C). Les valeurs d'humidité sont faibles (max. 10 %). La température dans la cabine de sauna est réglée par la commande du sauna.

À la fin de l'utilisation du sauna, vous pouvez effectuer un arrosage. Pour ce faire, versez de l'eau sur les pierres à sauna à l'aide d'une louche pour sauna. Cela fait évaporer l'eau et augmente l'humidité de l'air dans la cabine.

Tenez compte du mode d'emploi de votre poêle de sauna.

FR

### 6.2. Mode mixte

En mode mixte, le système de chauffage du poêle de sauna et l'évaporateur supplémentaire fonctionnent. La température dans la cabine du sauna est plus basse (environ de 40 à 65 °C) qu'en mode sauna finlandais mais l'humidité relative de l'air est nettement plus élevée (de 35 % à environ 70 %). Plus la température augmente, plus l'humidité de l'air maximale autorisée baisse. La température et l'humidité de l'air dans la cabine de sauna sont réglées par la commande du sauna.

Le conteneur de l'évaporateur doit être rempli manuellement. Si la réserve d'eau dans le conteneur de l'évaporateur est épuisée, une protection contre la surchauffe éteint automatiquement le chauffage de l'évaporateur. Le manque d'eau est signalé au niveau de la commande du sauna et y est indiqué, p. ex. par un signal sonore et par le message « FILL ».



Le kit Auto-Refill (CP-RC-AF) permet un raccordement permanent à la conduite d'eau et donc un remplissage automatique du conteneur de l'évaporateur.

## ATTENTION !

### **Endommagement de l'évaporateur**

L'eau de mer, une eau très calcaire et de l'eau chlorée, des herbes, des essences ou des parfums peuvent endommager le poêle de sauna.

- Remplissez le conteneur de l'évaporateur uniquement à l'eau du robinet.
- Ne placez pas les herbes, les essences ou les parfums directement dans le conteneur de l'évaporateur, mais dans le bol en céramique situé au-dessus de l'évaporateur.
- Détartrez l'évaporateur régulièrement (voir **7.13** à la page **22**).

### **Remplissage de l'évaporateur**



#### **PRUDENCE !**

##### **Risque de brûlure**

Lorsque vous versez de l'eau dans le conteneur chaud de l'évaporateur, de la vapeur chaude se dégage.

- NE versez JAMAIS d'eau dans le conteneur chaud de l'évaporateur.
- Contrôlez et remplissez le conteneur de l'évaporateur avant chaque fonctionnement mixte.
- Si la protection contre la surchauffe a éteint le chauffage de l'évaporateur ou si votre commande de sauna signale un manque d'eau, laissez l'évaporateur refroidir AVANT de verser de l'eau dans le conteneur de l'évaporateur.



#### **PRUDENCE !**

##### **Risque de brûlure**

Si le conteneur de l'évaporateur est trop plein, des éclaboussures d'eau bouillante jaillissent du conteneur de l'évaporateur.

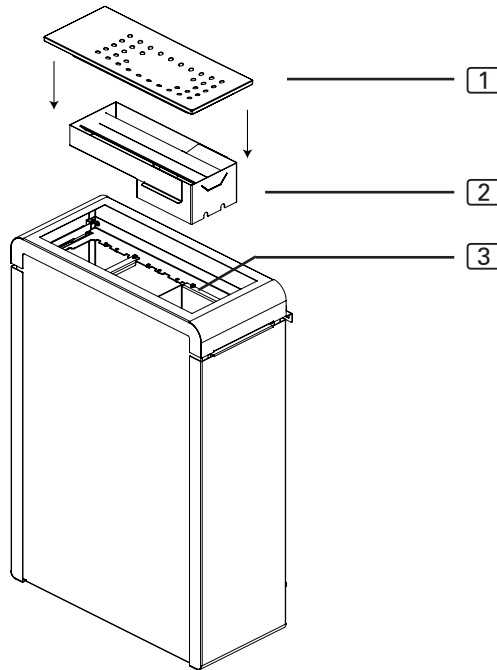
- Remplissez le conteneur de l'évaporateur uniquement jusqu'à la marque maximum.

1. Retirez le bol en céramique **[1]** et l'entonnoir à tuyau de vapeur **[2]**.
2. Placez un récipient de récupération (d'au moins 5 litres) sous le robinet à boisseau sphérique situé au fond de l'évaporateur.
3. Tournez le robinet à boisseau sphérique vers la gauche jusqu'à ce que l'eau résiduelle s'écoule.
4. Lorsque le conteneur de l'évaporateur **[3]** est vide, fermez le robinet à boisseau sphérique.



5. Remplissez le conteneur de l'évaporateur [3] d'eau fraîche du robinet jusqu'à la marque du maximum. Pour cela, il vous faut environ 5 litres d'eau. Avec cette quantité d'eau, il est possible d'utiliser l'évaporateur pendant 1 heure environ.
6. Remplacez le bol en céramique [1] et l'entonnoir à tuyau de vapeur [2].

**Fig. 12** Assemblage de l'évaporateur



FR

### **Utilisation de parfums et d'herbes**

Si vous le souhaitez, vous pouvez placer des parfums ou des herbes séchées dans le bol en céramique. Tenez compte des points suivants :

- Ne placez pas les parfums directement dans le conteneur de l'évaporateur.
- Suivez les consignes données par le fabricant sur l'emballage des herbes et des parfums.



### **PRUDENCE !**

#### **Risque de brûlure**

Remplissez le bol en céramique ou l'entonnoir à tuyau de vapeur avec précaution, afin que les parfums ne coulent pas dans le conteneur de l'évaporateur. Sinon, l'eau bouillante risque de mousser et de déborder.

## 7. Entretien

### 7.1. Nettoyage du conteneur de l'évaporateur

Videz et nettoyez le conteneur de l'évaporateur après chaque utilisation. Pour cela, suivez les étapes suivantes :

1. Attendez que l'eau ait refroidi dans l'évaporateur.
2. Placez un récipient de récupération sous le robinet à boisseau sphérique situé au fond de l'évaporateur.
3. Tournez le robinet à boisseau sphérique vers la gauche jusqu'à ce que l'eau résiduelle s'écoule.
4. Lorsque le conteneur de l'évaporateur [3] est vide, fermez le robinet à boisseau sphérique.
5. Retirez le bol en céramique [1] et l'entonnoir à tuyau de vapeur [2].
6. Nettoyez le conteneur de l'évaporateur [3] et l'entonnoir à tuyau de vapeur [2] avec une brosse à poils en plastique. Rincez à l'eau.
7. Remplacez le bol en céramique [1] et l'entonnoir à tuyau de vapeur [2].

### 7.2. Nettoyage du bol en céramique

Nettoyez le bol en céramique [1] pour herbes et essences au besoin dans le lave-vaisselle.

### 7.3. Détartrage du conteneur de l'évaporateur

Détartrez le conteneur de l'évaporateur [3] si besoin. Pour ce faire, utilisez un détartrant pour appareils ménagers. Conformez-vous aux prescriptions et aux consignes de sécurité du fabricant.

1. Préparez la solution de détartrage selon les indications du fabricant.
2. Remplissez l'évaporateur de la solution de détartrage jusqu'à la marque du maximum.
3. Laissez la solution de détartrage bouillir pendant 10 minutes.  
**Pendant ce temps, NE restez PAS dans la cabine de sauna.**
4. Attendez que la solution de détartrage ait refroidi dans l'évaporateur.
5. Ensuite, aérez bien la cabine de sauna.
6. Placez un récipient de récupération sous le robinet à boisseau sphérique situé au fond de l'évaporateur et videz le conteneur de l'évaporateur.
7. Rincez le conteneur de l'évaporateur 2 fois à l'eau du robinet.

## 8. Dépannage

**Problème :** L'évaporateur ne fonctionne pas, alors qu'il est sous tension.

**Dépannage :** Contrôlez le fusible de surtempérature :



**AVERTISSEMENT !**  
**Risque d'électrocution**

- Effectuez les travaux suivants uniquement lorsque le système est hors tension.

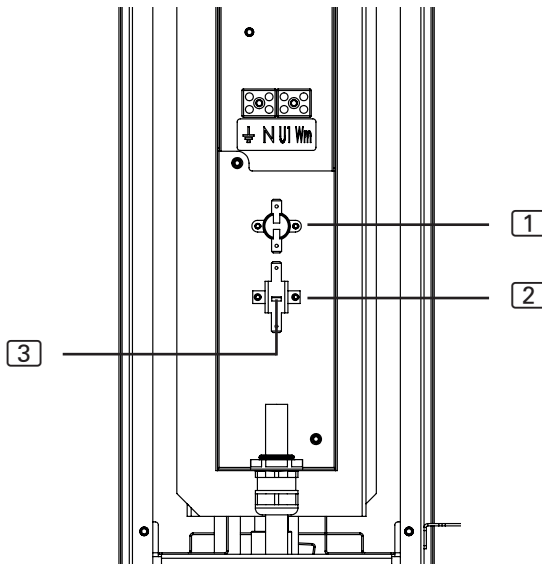
dans la zone de raccordement de l'évaporateur supplémentaire se trouvent 2 commutateurs de température :

- **1** **Commutateur de température**

Dispositif de protection thermique à réinitialisation automatique. Ce dispositif se déclenche s'il n'y a pas assez d'eau dans le conteneur de l'évaporateur. Le thermoplongeur est désactivé et la commande de sauna émet un message d'erreur.

- **2** **Protection contre la surtempérature**

Cette protection se déclenche lorsque le conteneur de l'évaporateur devient trop chaud et empêche ainsi que le thermoplongeur soit endommagé. Pour réinitialiser la protection, appuyez sur l'étrier métallique **3** qui se trouve au milieu de la protection.



## 9. Retraitement



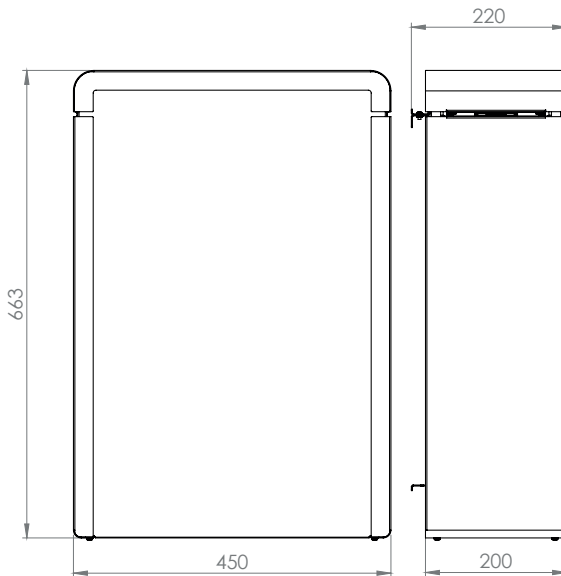
- Éliminez les matériaux d'emballage conformément aux directives en vigueur relatives à l'élimination.
- Les appareils usagés contiennent des matériaux recyclables, mais aussi des substances toxiques. Par conséquent, ne jetez en aucun cas votre appareil usagé avec les déchets ménagers. Éliminez-le conformément aux directives locales en vigueur.

## 10. Caractéristiques techniques

Les dimensions de l'évaporateur supplémentaire RB figurent sur la **Fig. 13**.

Référence	Puissance de l'évaporateur [kW]	Poids [kg]	Fusible [A]	Alimentation
CP-25-STP-B	2,5	18	16	230V CA 1N~ 50/60Hz

**Fig. 13** Dimensions évaporateur supplémentaire RB



Dimensions en mm

Pièce détachée	Numéro d'article	
Élément de chauffage	1-044-997	1
Commutateur de température	1-026-881	1
Protection contre la surtempérature	1-027-243	1

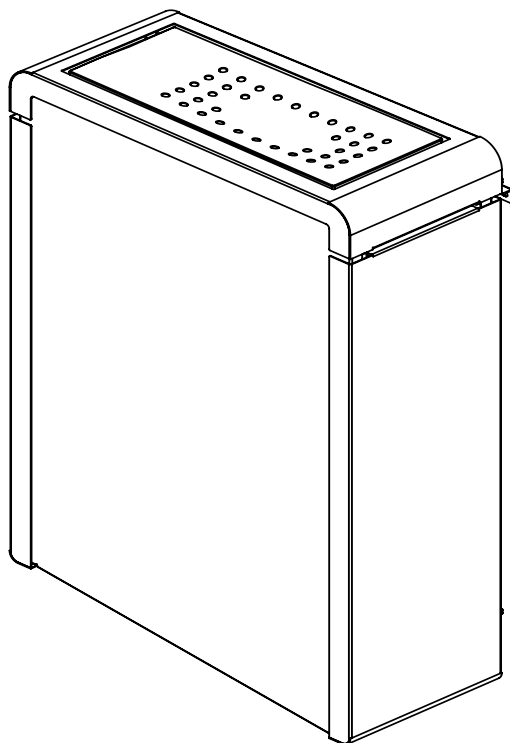




# Přídavný odpařvač RB 2,5 kW

1-027-762 / CP-25-STP-B

NÁVOD K MONTÁŽI A POUŽITÍ  
česky



CS

# Obsah

<b>1. O tomto návodu</b>	<b>4</b>
<b>2. Důležité pokyny pro vaši bezpečnost</b>	<b>5</b>
2.1. Použití v souladu s určením	5
2.2. Bezpečnostní informace pro montéra	6
2.3. Bezpečnostní informace pro uživatele	7
<b>3. Popis výrobku</b>	<b>9</b>
3.1. Rozsah dodávky	9
3.2. Příslušenství	9
3.3. Funkce výrobku	9
<b>4. Montáž a připojení</b>	<b>10</b>
4.1. Místo montáže	10
4.2. Bezpečnostní vzdálenosti	10
4.3. Montáž ke stěně kabiny	10
4.4. Montáž na saunová kamna Concept R	13
4.5. Schéma připojení	15
4.6. Elektrické připojení	16
<b>5. Uvedení do provozu</b>	<b>18</b>
5.1. Uložení keramické misky	18
5.2. První nahřívání	18
<b>6. Obsluha</b>	<b>19</b>
6.1. Režim finské sauny	19
6.2. Kombinovaný provoz	19



<b>7. Údržba</b>	<b>22</b>
7.1. Čištění nádoby odpařovače .....	22
7.2. Čištění keramické misky.....	22
7.3. Odstranění vodního kamene z nádoby odpařovače.....	22
<b>8. Řešení problémů</b>	<b>23</b>
<b>9. Likvidace</b>	<b>24</b>
<b>10. Technické údaje</b>	<b>25</b>

## 1. O tomto návodu

Tento návod k montáži a použití si důkladně pročtete a uložíte ho v blízkosti sauny. Tak si můžete vždy dodatečně přečíst informace o bezpečnosti a obsluze.



Tento návod k montáži a použití naleznete také v sekci ke stažení na našem webu na adrese [www.sentiotec.com/downloads](http://www.sentiotec.com/downloads).

### ***Symboly ve výstražných pokynech***

V tomto návodu k montáži a použití je text o činnostech, z nichž vyplývá určité riziko, uvozen výstražným pokynem. Tyto výstražné pokyny bezpodmínečně dodržujte. Zabráníte tak věcným škodám a poraněním, která mohou být v nejhorším případě dokonce smrtelná.

Ve výstražných pokynech jsou použita signální slova, která mají následující význam:



#### **NEBEZPEČÍ!**

Pokud tento výstražný pokyn nebude dodržen, bude to mít za následek smrt nebo vážné zranění.



#### **VÝSTRAHA!**

Pokud tento výstražný pokyn nebude dodržen, může to mít za následek smrt nebo vážné zranění.



#### **UPOZORNĚNÍ!**

Pokud tento výstražný pokyn nebude dodržen, může to mít za následek lehká zranění.

### **POZOR!**

Tento signální symbol upozorňuje na věcné škody.

### ***Jiné symboly***



Tento symbol označuje tipy a užitečné pokyny.



Pročtete si návod k obsluze



UPOZORNĚNÍ: Horká vodní pára

## **2. Důležité pokyny pro vaši bezpečnost**

Přídavný odpařovač RB byl vyroben podle uznávaných bezpečnostně-technických pravidel. Přesto mohou při jejich používání vznikat rizika. Dodržujte proto následující bezpečnostní pokyny a zvláštní výstražné pokyny uvedené v jednotlivých kapitolách.

### **2.1. Použití v souladu s určením**

Přídavný odpařovač RB se smí použít pouze ke zvýšení vlhkosti vzduchu v saunové kabině a jen v kombinaci se saunovými kamny s řídicí jednotkou sauny s funkcí odpařováku.

Jakékoli jiné použití nad tento rámec se považuje za použití v rozporu s určením. Použití v rozporu s určením může vést k poškození výrobku, vážným zraněním nebo smrti.

## 2.2. Bezpečnostní informace pro montéra

- Montáž a připojení přídatného odpařovaku se smí provádět pouze ve stavu odpojení od napětí.
- Montáž smí provádět pouze kvalifikovaný elektrikář nebo jiná, srovnatelným způsobem kvalifikovaná osoba.
- V místě instalace musí být instalován odpojovač s odpojením všech pólů s úplným vypnutím v souladu s přepětovou kategorií III.
- K připojení přídatného odpařovaku používejte výlučně silikonová vedení odolná vůči teplotě do 150 °C.
- Stropy a stěny saunové kabiny smí být vyrobeny z neopracovaných nebo tepelně opracovaných druhů dřeva s nízkým obsahem pryskyřice, např. severský smrk, jedlovec, borovice nebo jedle nebo z vrstvených dřevěných materiálů. Při použití vrstvených dřevěných materiálů je nutné dbát na to, aby jejich lepidla neobsahovala formaldehyd. Pokud budou v saunové kabině použity jiné materiály než dřevo, musejí být odolné vůči teplu a korozi a nesmí mít žádné negativní účinky na zdraví osob v sauně.
- Při montáži přídatného odpařovaku R dodržujte minimální bezpečnostní vzdálenosti (viz kapitola **4.2. Bezpečnostní vzdálenosti** na straně **11**).
- Dodržujte také místní předpisy v místě instalace.
- V případě problémů, které nejsou dostatečně podrobně řešeny v návodu k montáži, se v zájmu vlastní bezpečnosti obraťte na svého dodavatele.

### 2.3. Bezpečnostní informace pro uživatele

- Zařízení nesmí používat děti do 8 let věku.
- Zařízení smí používat děti ve věku nad 8 let, osoby s omezenými fyzickými, smyslovými nebo duševními schopnostmi a osoby s nedostatečnými zkušenostmi a znalosti za následujících podmínek:
  - pokud jsou pod dozorem.
  - pokud jim bylo správné používání předvedeno a rozumějí rizikům, která mohou vzniknout.
- Děti si se zařízením nesmí hrát.
- Děti mladší 14 let smí zařízení čistit, pouze pokud jsou pod dozorem.
- Saunování není ze zdravotních důvodů vhodné pro osoby pod vlivem alkoholu, léků nebo drog.
- PŘED prvním saunováním přídavný odpařovák na půl hodiny rozehejte. Během této doby se **NEZDRŽUJTE** v saunové kabině. Následně saunovou kabinu dobře vyvětrejte (viz **5.2. První nahřívání** na straně **18**).
- Před zapnutím řídicí jednotky sauny se ujistěte, že na saunových kamnech a na přídavném odpařováku neleží žádné hořlavé předměty.

- Přídavného odpařováku se během provozu nedotýkejte. Povrch přídavného odpařováku se zahřeje na vysokou teplotu.
- Během provozu se vyvarujte bezprostředního kontaktu s unikající párou. Unikající pára je velmi horká, hrozí nebezpečí opaření.
- Bylinky, esence a vonné látky nepřidávejte nikdy přímo do nádoby odpařovače, nýbrž pouze do keramické misky nad odpařovačem.
- Vodu NIKDY nevlévejte do horké nádoby odpařovače. Vždy před spuštěním kombinovaného provozu zkontrolujte a naplňte nádobu odpařovače. Pokud ochrana proti přehřátí vypne topení odpařovače nebo řídicí jednotka sauny hlásí nedostatek vody, nechejte odpařovač PŘED nalitím vody do nádoby odpařovače vychladnout. Po dobu doplňování vodou a čištění musí být přístroj odpojen od sítě.
- V případě problémů, které nejsou dostatečně podrobně řešeny v návodu k použití, se v zájmu vlastní bezpečnosti obraťte na svého dodavatele.

## 3. Popis výrobku

### 3.1. Rozsah dodávky

- Rozsah dodávky
- Návod k montáži a použití
- Keramická miska na bylinky a vonné látky

### 3.2. Příslušenství

<i>Příslušenství</i>	<i>Číslo položky</i>
Automatické plnění	CP-RC-AF
Sada držáků pro obrubovou lištu	CP-RM-HSR-4S
Dřevěná obrubová lišta pro přídatný odpařovák LINDE (lípa)	CP-RM-L-4S
Dřevěná obrubová lišta pro přídatný odpařovák NUSS (ořech)	CP-RM-N-4S

### 3.3. Funkce výrobku

Přídavný odpařovák RB je přístroj určený k dodatečnému vybavení sauny s finskými saunovými kamny. Po dodatečné instalaci odpařováku jsou možné následující provozní režimy:

- **Režim finské sauny:** obvykle 80 až 100 °C; cca 10 % rel. vlhkosti vzduchu
- **Kombinovaný provoz** (pouze v kombinaci s kombinovanou řídicí jednotkou): ca. 40 až 65 °C, 35 % až cca 70 % vlhkost vzduchu. Maximálně přípustná vlhkost vzduchu klesá se stoupající teplotou.  
Podle přání lze v kombinovaném provozu do keramické misky nad odpařovačem vložit vonné látky nebo sušené bylinky. Stoupající pára uvolňuje z bylinek éterické oleje, resp. rozptyluje vonné látky v saunové kabině.

## 4. Montáž a připojení

Při montáži a připojení přídatného odpařovače sauny zohledněte následující body:



### VÝSTRAHA!

#### **Nebezpečí úrazu elektrickým proudem**

- Montáž a připojení přídatného odpařovače provádějte pouze ve stavu bez napětí.
- 
- Elektrické připojení smí provádět pouze kvalifikovaný elektrikář nebo srovnatelným způsobem kvalifikovaná osoba.
  - V místě instalace musí být instalován odpojovač s odpojením všech pólů s úplným vypnutím v souladu s přepětovou kategorií III.
  - Přídatný odpařovač R je určen k montáži na stěnu sauny.
  - Při montáži dodržujte minimální vzdálenosti uvedené v 4.2.

### 4.1. Místo montáže

Přídatný odpařovač namontujte na vhodné místo na stěně kabiny nebo na svá saunová kamna Concept R a dodržujte při tom uvedené bezpečnostní vzdálenosti.

### 4.2. Bezpečnostní vzdálenosti

Dodržujte minimální bezpečnostní vzdálenosti uvedené na **Obr. 1** (str. 13).

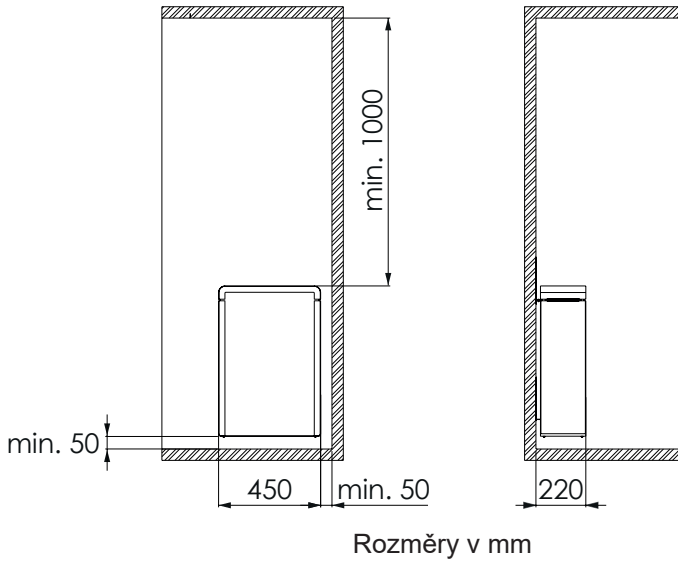
### 4.3. Montáž ke stěně kabiny

Pracujte podle **obr. 1**, **obr. 2**, **obr. 3** a **obr. 4** (strana 13, 14).

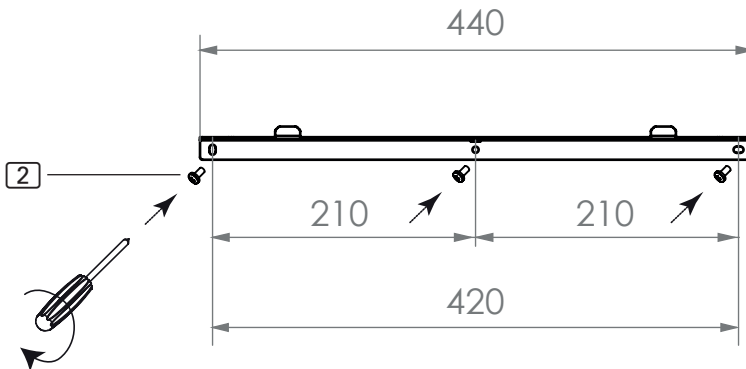
1. Upevněte montážní lištu **1** vodorovně ke stěně dodanými vruty **2**. Dodržujte přitom minimální vzdálenosti přídatného odpařovače podle **obr. 1**.
2. Zavěste přídatný odpařovač **3** shora dolů na montážní lištu. Přídatný odpařovač musí správně dosedat.
3. Zajistěte přídatný odpařovač **3** dodaným šroubem **4** k montážní liště **1**.



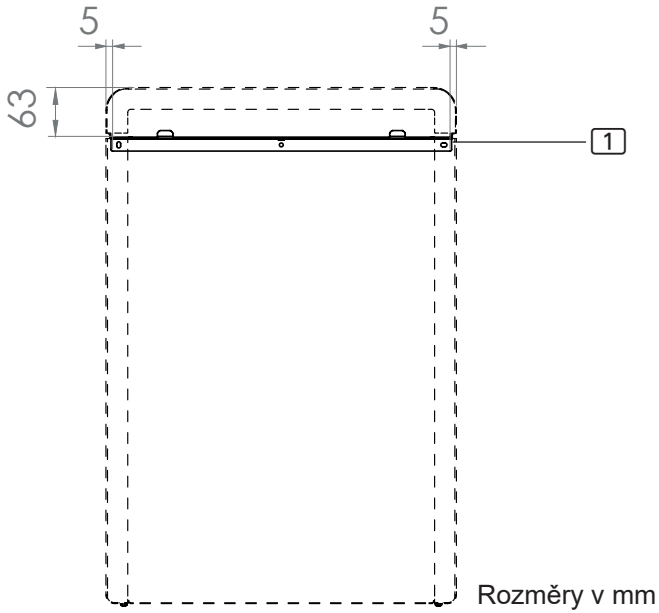
**Obr. 1** Bezpečnostní vzdálenosti pro přídavný odpařovák RB 2,5 kW



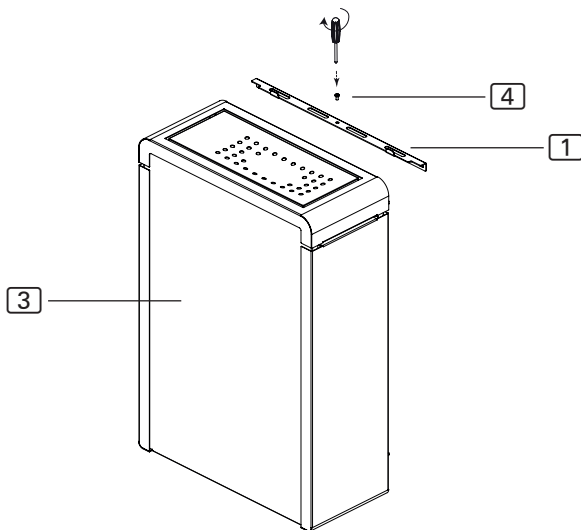
**Obr. 2** Montážní lišta pro přídavný odpařovák RB 2,5 kW



**Obr. 3** Poloha montážní lišty



**Obr. 4** Zajištění přídavného odpařovaku RB (montážní lišta) 2,5 kW



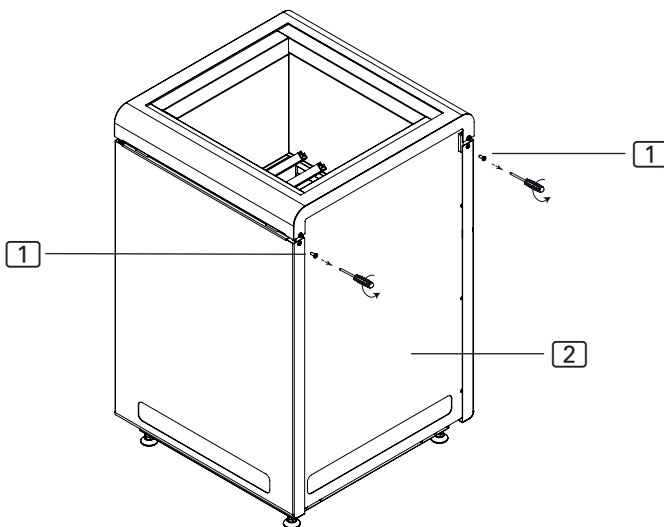
#### 4.4. Montáž na saunová kamna Concept R

Finská saunová kamna Concept R lze za použití přídatného odpařovák R rozšířit na kombinovaná kamna. Přesvědčte se přitom, že je řídicí jednotka vaší sauny vhodná pro kombinovaný režim.

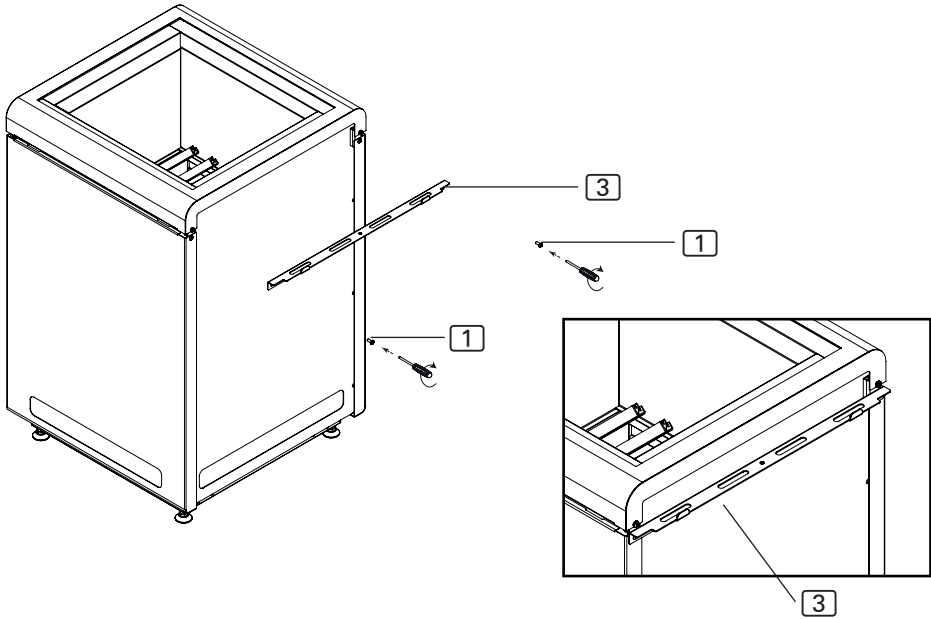
Dodržujte bezpečnostní vzdálenosti dle **obr. 1** (strana **13**) a **obr. 5**, **obr. 6**, **obr. 7** (strana **15**, **16**).

1. Na požadované straně saunových kamen Concept R **[2]** povolte šrouby **[1]**.
2. Připevněte montážní lištu **[3]** podle **obr. 6** šrouby **[1]** k saunovým kamnům Concept R. V místě instalace saunových kamen dodržujte minimální vzdálenosti uvedené v návodu k obsluze vašich kamen.
3. Zavěste přídatný odpařovák **[4]** shora dolů na montážní lištu **[3]**. Přídatný odpařovák musí správně dosedat.
4. Zajistěte přídatný odpařovák **[4]** dodaným šroubem **[5]** k montážní liště **[3]**.

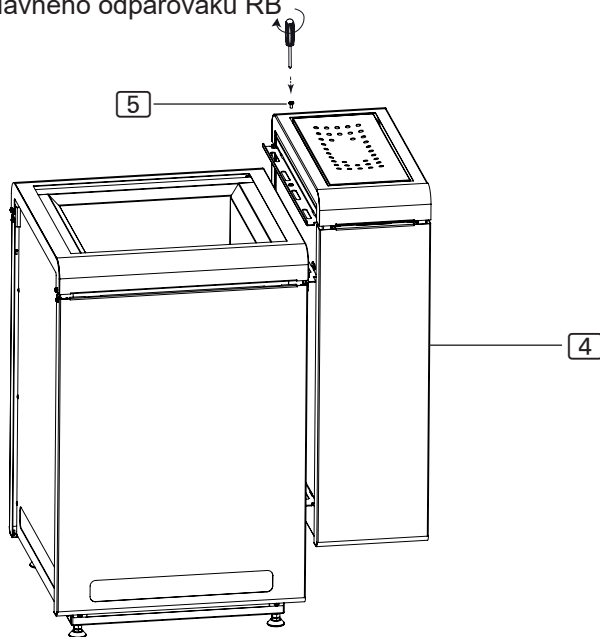
**Obr. 5** Povolení šroubů na saunových kamnech Concept R



**Obr. 6** Připevnění montážní lišty na saunová kamna Concept R

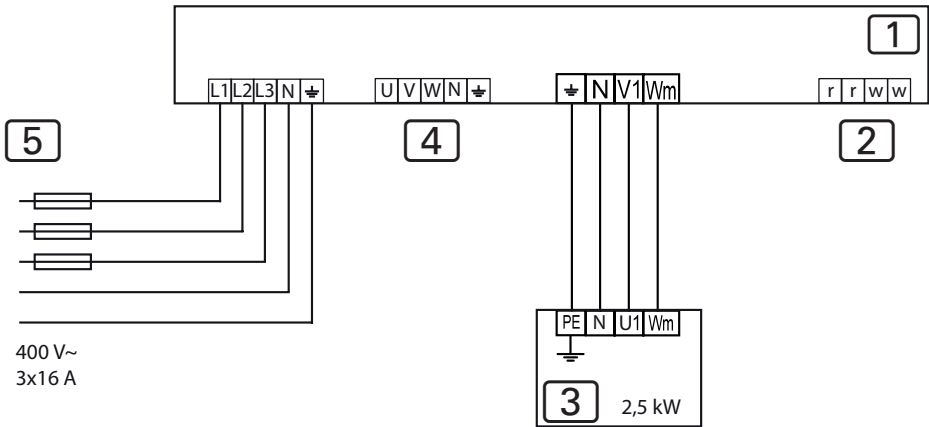


**Obr. 7** Zajištění přídavného odpařováku RB



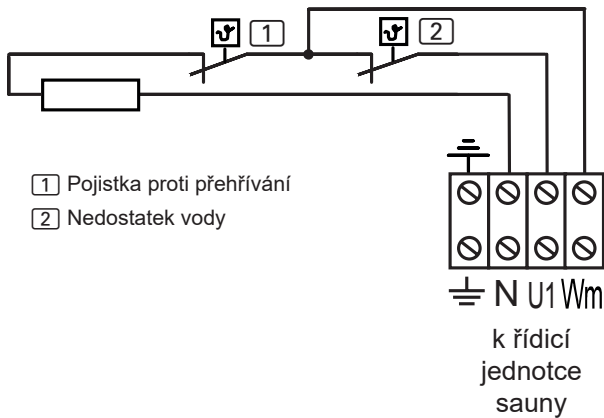
## 4.5. Schéma připojení

**Obr. 8** Schéma připojení přídatného odpařováku 2,5 kW



- 1 Řídicí jednotka sauny
- 2 Čidlo teploty s pojistkou proti přehřátí
- 3 Přídatný odpařovák 2,5 kW
- 4 Topný systém 9 kW nebo 10,5 kW
- 5 Napájecí zdroj

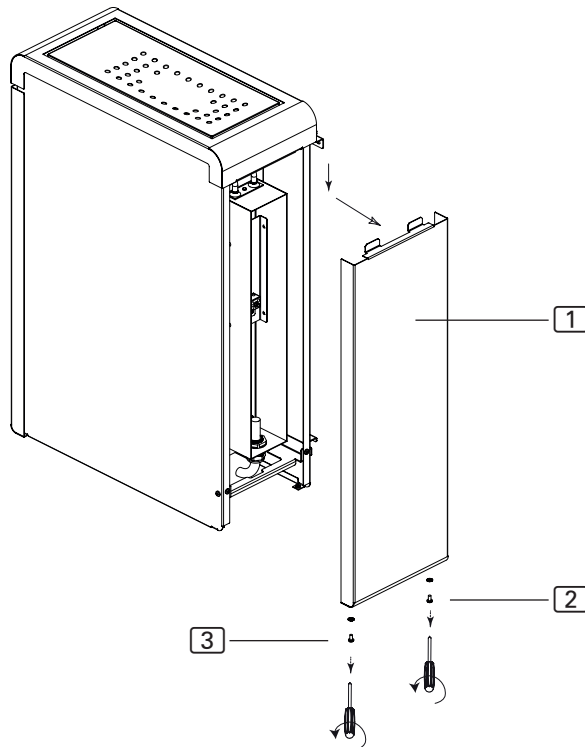
**Obr. 9** Schémata zapojení – topný systém

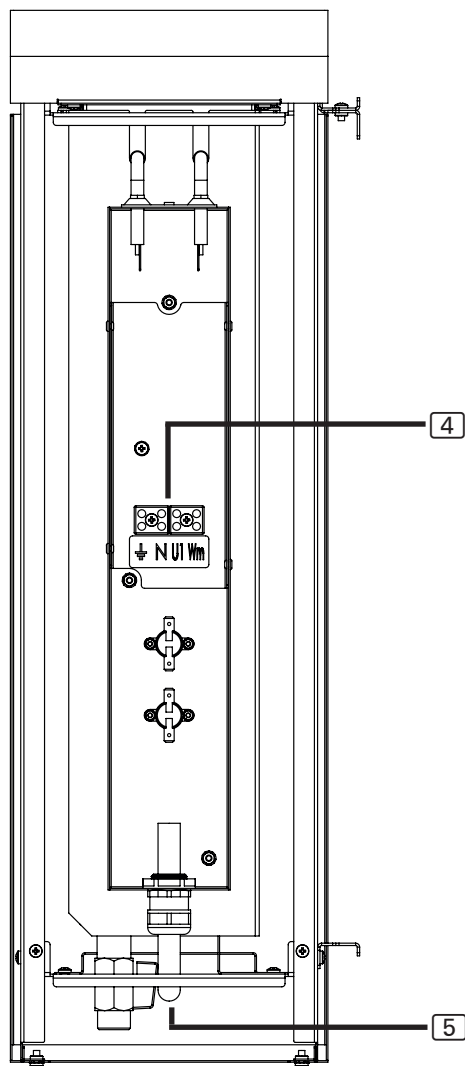


## 4.6. Elektrické připojení

1. Povolte šrouby [2] a [3] šroubovákem.
2. Sejměte krycí plech [1].
3. Připojovací kabel přídatného odpařovačku provlečte průchodkou [5].
4. Vodiče připojovacího kabelu připojte ke svorkám PE – N – U1 – Wm na připojovací svorkovnici [4] a k odpovídajícím svorkám řídicí jednotky sauny. Přitom dodržte návod k montáži řídicí jednotky sauny.
5. Krycí plech [1] upevněte opět k přídatnému odpařovačku RB.

**Obr. 10** Odstranění krycího plechu



**Obr. 11** Připojovací svorky přídatného odpařovače RB

CS

- 4 Připojovací svorkovnice odpařovače
- 5 Průchodka připojovacího kabelu

## 5. Uvedení do provozu

### 5.1. Uložení keramické misky

- Keramickou misku položte na nádobu odpařovače – jak je znázorněno na obrázku dole.

### 5.2. První nahřívání



#### **OPATRŇĚ!**

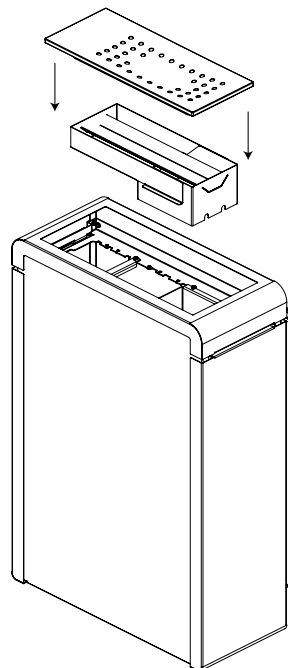
***Při prvním rozeřívání vzniká kouř a je cítit zápach***

Na nových topných tyčích jsou provozní látky z výrobního procesu. Ty se při prvním rozeřívání přídatného odpařovače rozkládají. Přitom vzniká kouř a nepříjemný zápach. Vdechování těchto výparů nebo kouře škodí vašemu zdraví.

Při **prvním zprovoznění** přídatného odpařovače a při **výměně topných tyčí saunových kamen** proveďte následující kroky. Zabráníte tak ohrožení zdraví výparů a kouřem, které vznikají při prvním rozeřívání.

#### 1. První nahřívání odpařovače

- a. Na řídicí jednotce sauny navolte nízkou teplotu a vysokou vlhkost vzduchu.
- b. Odpařovač nahřívajte **BEZ** vody.  
**Během této doby se NEZDRŽUJTE v saunové kabině.**
  - ▶ Asi po 15 minutách vypne pojistka proti přehřátí odpařovače.
- c. Odpařovač nechejte vychladnout (asi půl hodiny).
- d. Opakujte bod 1.b.
- e. Po rozeřátí dobře vyvětrejte saunovou kabinu.





- f. Pokud při dalším rozehrátí nedochází ke vzniku kouře a pachu, opláchněte vychladlý odpařovák vodou z kohoutku. Poté můžete začít s prvním saunováním.  
Pokud se znovu uvolňuje kouř nebo zápach, okamžitě opusťte saunovou kabinu a opakujte rozehrátí kamen se zapnutým ventilátorem.

## 6. Obsluha

Obsluha přídavného odpařováku R probíhá přes řídicí jednotku sauny. Informace k obsluze řídicí jednotky sauny naleznete v návodu k obsluze používaného zařízení.

### 6.1. Režim finské sauny

Při režimu finské sauny je v provozu pouze topný systém vašich saunových kamen. K dispozici je suché teplo. Teplota v kabině je vysoká (80 až 100 °C). Vlhkost je při hodnotě maximálně 10 % nízká. Teplota v saunové kabině je regulována řídicí jednotkou sauny.

Na konci saunování lze provést polévání. Saunové kameny polijte pomocí saunové naběračky vodou. Tím se voda odpaří a zvýší se vlhkost vzduchu v saunové kabině.

Řiďte se dle návodu vašich saunových kamen.

### 6.2. Kombinovaný provoz

V kombinovaném režimu je v provozu topný systém saunových kamen a přídavný odpařovač. Teplota v saunové kabině je nižší než v režimu finské sauny (cca 40 až 65 °C), zato relativní vlhkost vzduchu o hodnotách 35 % až zhruba 70 % je podstatně vyšší. Maximálně přípustná vlhkost vzduchu klesá se stoupající teplotou. Teplota a vlhkost vzduchu v saunové kabině jsou regulovány řídicí jednotkou sauny.

Nádobu odpařovače je nutné plnit ručně. Pokud se spotřebuje zásoba vody v nádobě odpařovače, ochrana proti přehřátí automaticky vypne topení odpařovače. Nedostatek vody je signalizován na řídicí jednotce sauny a zde se zobrazuje např. akustickým výstražným tónem a hlášením „FILL“.



Pomocí sady pro automatické doplnění (CP-RC-AF) je možné pevně připojit vodovodní potrubí a tím zajistit automatické plnění nádoby odpařovače.

## **POZOR!**

### **Poškození odpařovače**

Mořská voda, voda s vysokým obsahem vápníku a chlorovaná voda, bylinky, esence nebo vonné látky mohou odpařovač poškodit.

- Nádobu odpařovače plňte pouze vodou z vodovodu.
- Bylinky, esence a vonné látky nepřidávejte nikdy přímo do nádoby odpařovače, nýbrž pouze do keramické misky nad odpařovačem.
- Z odpařovače pravidelně odstraňujte vodní kámen (viz **7.13.** na straně **22**).

### **Plnění odpařovače**



#### **UPOZORNĚNÍ!**

##### **Nebezpečí opaření**

Při vlévání vody do horké nádoby odpařovače vzniká horká pára.

- Vodu NIKDY nevlévejte do horké nádoby odpařovače.
- Vždy před spuštěním kombinovaného provozu zkontrolujte a naplňte nádobu odpařovače.
- Pokud ochrana proti přehřátí vypne topení odpařovače nebo řídicí jednotka sauny hlásí nedostatek vody, nechejte odpařovač PŘED nalitím vody do nádoby odpařovače vychladnout.



#### **UPOZORNĚNÍ!**

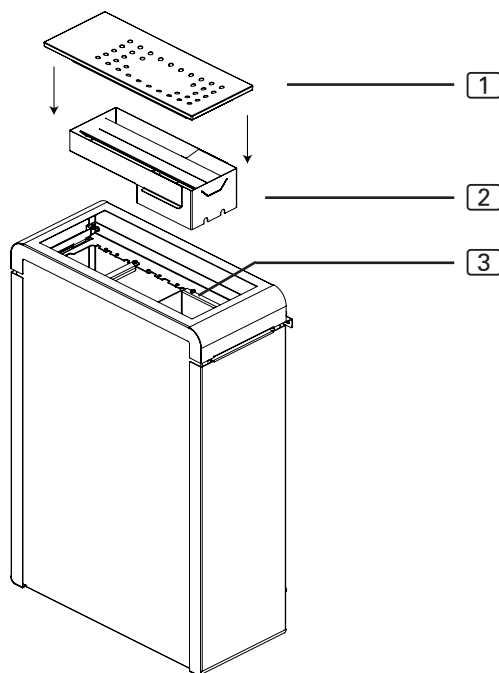
##### **Nebezpečí opaření**

Pokud je nádoba odpařovače příliš plná, vystřikuje z ní vroucí voda.

- Nádobu odpařovače plňte pouze po rysku maximální hladiny.

1. Vyjměte keramickou misku **[1]** a parní trychtýř **[2]**.
2. Pod kulový kohout u dna odpařovače umístěte záchytnou nádobu (alespoň 5 litrů).
3. Otočte kulový kohout doleva, aby odtekla zbylá voda.
4. Jakmile bude nádoba odpařovače **[3]** prázdná, kulový kohout zavřete.

5. Nádoby odpařovače [3] naplňte čerstvou vodou z vodovodu až po rysku maximální hladiny. K tomu je zapotřebí asi 5 litrů vody. Při tomto množství vody lze odpařovač provozovat asi 1 hodinu.
6. Opět umístěte keramickou misku [1] a parní trychtýř [2].

**Obr. 12** Sestavení odpařovačku

CS

### **Použití vonných látek a bylinek**

Podle přání lze do keramické misky vložit vonné látky nebo sušené bylinky. Přitom dodržujte následující body:

- Vonné látky nepřidávejte přímo do nádoby odpařovače.
- Dodržujte údaje výrobce uvedené na balení bylinek a vonných látek.



### **UPOZORNĚNÍ!**

#### ***Nebezpečí opaření***

Plňte keramickou misku resp. parní trychtýř opatrně, aby vonné látky nekapaly do nádoby odpařovače. V opačném případě může dojít ke vzkyplení vroucí vody.

## 7. Údržba

### 7.1. Čištění nádoby odpařovače

Nádoby odpařovače po každém použití vyprázdněte a vyčistěte. Za tímto účelem proveďte následující kroky:

1. Počkejte na ochlazení vody v odpařovači.
2. Pod kulový kohout u dna odpařovače umístěte záchytnou nádobu.
3. Otočte kulový kohout doleva, aby odtekla zbylá voda.
4. Jakmile bude nádoba odpařovače [3] prázdná, kulový kohout zavřete.
5. Vyjměte keramickou misku [1] a parní trychtýř [2].
6. Nádoby odpařovače [3] a parní trychtýř [2] očistěte kartáčem na úklid domácnosti s plastovými štětinami. Opláchněte vodou.
7. Opět umístěte keramickou misku [1] a parní trychtýř [2].

### 7.2. Čištění keramické misky

Keramickou misku [1] na bylinky a esence umyjte podle potřeby v myčce nádobí.

### 7.3. Odstranění vodního kamene z nádoby odpařovače

Z nádoby odpařovače [3] podle potřeby odstraňte vodní kámen. K tomu použijte prostředek do domácnosti k odstranění vodního kamene. Dodržujte přitom předpisy a bezpečnostní pokyny výrobce.

1. Roztok k odstranění vodního kamene připravte podle údajů výrobce.
2. Odpařovač naplňte roztokem k odstranění vodního kamene až po rysku maximální hladiny.
3. Roztok k odstranění vodního kamene nechejte 10 minut vařit. **Během této doby se NEZDRŽUJTE v saunové kabině.**
4. Vyčkejte na ochlazení roztoku k odstranění vodního kamene v odpařovači.
5. Potom dobře vyvětrejte saunovou kabinu.
6. Pod kulový kohout u dna odpařovače položte záchytnou nádobu a vyprázdněte nádobu odpařovače.
7. Nádoby odpařovače propláchněte dvakrát vodou z vodovodu.

## 8. Řešení problémů

**Problém:** Odpařovák nefunguje, ačkoliv je pod napětím.

**Řešení problému:** Zkontrolujte pojistku proti přehřívání:



**VÝSTRAHA!**

**Nebezpečí úrazu elektrickým proudem**

- Následující práce provádějte výhradně ve stavu odpojení od napětí.

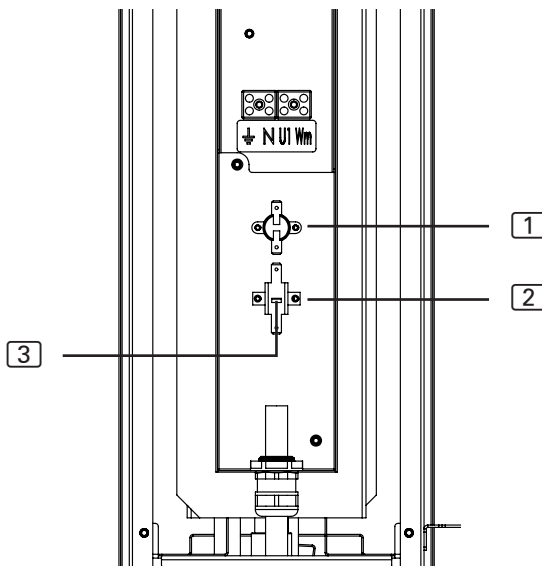
V oblasti připojení přídatného odpařováku se nachází 2 teplotní spínače:

- **1 teplotní spínač**

Tepelná pojistka s automatickým resetem. Spustí se, pokud je v nádobě odpařováku příliš málo vody. Topná tyč se vypne a řídicí jednotka sauny vydá chybové hlášení.

- **2 pojistka proti přehřátí**

Tato pojistka se spustí, pokud je nádoby odpařováku příliš horká, a tím zabrání poškození topné tyče. Pro resetování pojistky stiskněte kovovou páčku **3**, která se nachází uprostřed na pojistce.



## 9. Likvidace



- Obalové materiály zlikvidujte podle směrnic platných pro likvidaci.
- Stará zařízení obsahují recyklovatelné materiály, ale i škodlivé látky. Stará zařízení proto v žádném případě neodkládejte do odpadu, ale zlikvidujte je podle místních platných předpisů.

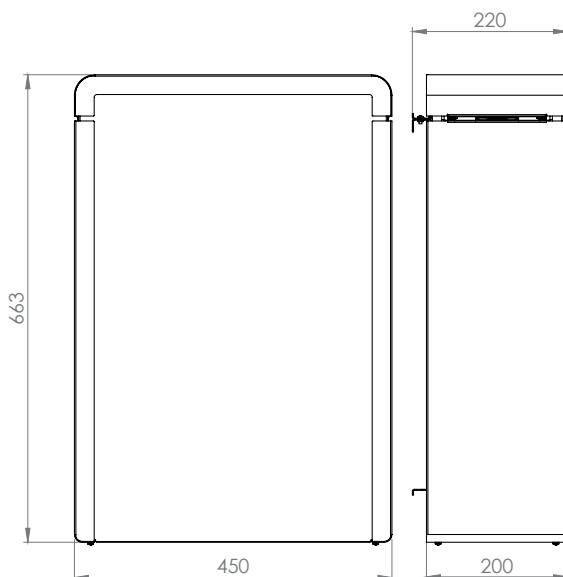


## 10. Technické údaje

Rozměry přídatného odpařovače RB najdete v **Obr. 13**.

Číslo položky	Výkon odpařovače [kW]	Hmotnost [kg]	Jištění [A]	Napájení
CP-25-STP-B	2,5	18	16	230V AC 1N~ 50/60Hz

**Obr. 13** Rozměry přídatného odpařovače RB



Rozměry v mm

CS

Náhradní díly	Číslo položky	
Topná tyč	1-044-997	1
teplotní spínač	1-026-881	1
pojistka proti přehřátí	1-027-243	1





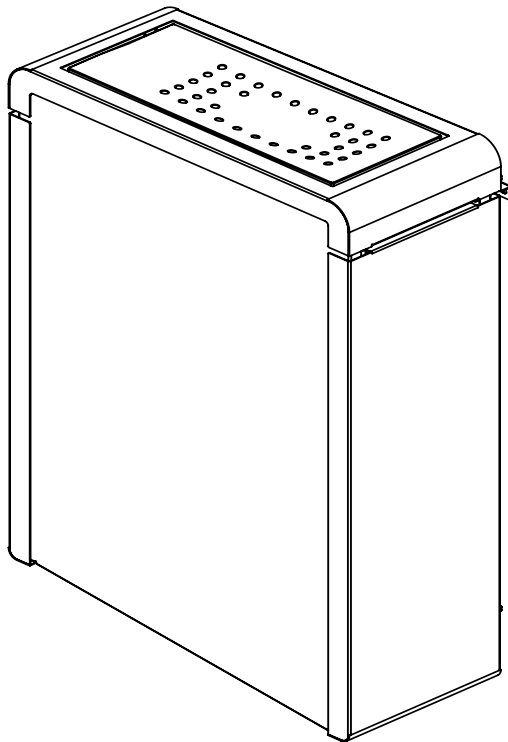


# Extraförångare

## RB 2,5 kW

1-027-762 / CP-25-STP-B

MONTERINGS- OCH BRUKSANVISNING  
Svenska



SV

# Innehållsförteckning

<b>1. Om monterings- och bruksanvisningen</b>	<b>4</b>
<b>2. Viktig säkerhetsinformation</b>	<b>5</b>
2.1. Ändamålsenlig användning	5
2.2. Säkerhetsanvisningar för installatören	6
2.3. Säkerhetsanvisningar för användaren	7
<b>3. Produktbeskrivning</b>	<b>9</b>
3.1. Leveransomfattning	9
3.2. Tillbehör	9
3.3. Funktioner	9
<b>4. Installation och anslutning</b>	<b>10</b>
4.1. Installationsplats	10
4.2. Säkerhetsavstånd	10
4.3. Montering på väggen	10
4.4. Montering på bastuaggregatet Concept R	13
4.5. Kopplingsschema	15
4.6. Elanslutning	16
<b>5. Driftstart</b>	<b>18</b>
5.1. Sätta in keramikskålen	18
5.2. Den första uppvärmningen	18
<b>6. Användning</b>	<b>19</b>
6.1. Finsk bastu	19
6.2. Kombidrift	19

<b>7. Underhåll</b>	<b>22</b>
7.1. Rengöring av förångarbehållaren .....	22
7.2. Rengöring av keramikskålen.....	22
7.3. Avkalkning av förångarbehållaren.....	22
<b>8. Problemlösning</b>	<b>23</b>
<b>9. Bortskaffning</b>	<b>24</b>
<b>10. Tekniska data</b>	<b>25</b>

# 1. Om monterings- och bruksanvisningen

Läs hela monterings- och bruksanvisningen noga och förvara den sedan i närheten av bastun. Du kan då när som helst läsa de specifika säkerhets- och användningsanvisningarna.



Den här monterings- och bruksanvisningen kan även laddas ner från vår webbsida, [www.sentiotec.com/downloads](http://www.sentiotec.com/downloads).

## Symboler och varningar

I den här monterings- och bruksanvisningen används olika varningssymboler vid avsnitt som beskriver situationer som kan medföra fara eller risker av olika slag. Dessa varningar ska alltid beaktas. På så sätt undviker man saksador och personskador, som i värsta fall kan ha dödlig utgång.

Följande signalord används:



### **FARA!**

Om de här varningarna/anvisningarna inte följs kan det leda till allvarliga eller livsfarliga skador.



### **VARNING!**

Om de här varningarna/anvisningarna inte följs kan det leda till allvarliga eller livsfarliga skador.



### **FÖRSIKTIGHET!**

Om de här varningarna/anvisningarna inte följs kan det leda till lindriga skador.

### **VARNING!**

Varnar för saksador.

## Övriga symboler



Används vid tips och nyttig information.



Läs bruksanvisningen



FÖRSIKTIGHET! Het vattenånga

## **2. Viktig säkerhetsinformation**

Den extra förångaren RB har konstruerats och tillverkats enligt vedertagna säkerhetstekniska regler. Det kan ändå uppstå vissa risker under användningen. Följ alltid nedanstående säkerhetsanvisningar och observera de särskilda varningarna i resp. kapitel.

### **2.1. Ändamålsenlig användning**

Extraförångaren RB är endast avsedd för att höja luftfuktighetsnivån i en bastu och endast tillsammans med en bastustyrenhet med förångningsfunktion och ett bastuaggregat.

All annan användning betraktas som ej ändamålsenlig. Ej ändamålsenlig användning kan leda till skador på produkten och innebära risk för allvarliga eller livsfarliga skador.

## 2.2. Säkerhetsanvisningar för installatören

- Den extra förångaren får endast installeras och anslutas i spänningslöst tillstånd.
- Montering/installation får endast utföras av elektriker.
- På plats ska en allpolig fränskiljare med komplett avstängning enligt överspänningskategori III installeras.
- Använd endast silikonkablar med värmetålighet upp till 150 °C för anslutning av extraförångaren.
- Bastuns väggar och tak ska vara tillverkade av obehandlat eller termiskt behandlat trä med låg hartshalt, t.ex. nordisk gran, hemlock, tall eller ädelgran, eller av flerskikts träskivor. Om flerskikts träskivor används får limmet inte innehålla formaldehyd. Om andra material än trä används i bastun måste de vara värme- och korrosionsbeständiga och får inte utgöra någon hälsorisk för bastubadarna.
- Vid monteringen av extraförångaren R ska man ta hänsyn till de minsta säkerhetsavstånden (se kapitel **4.2. Säkerhetsavstånd** på sida **10**).
- Följ gällande lokala bestämmelser.
- Om det uppstår problem som inte beskrivs tillräckligt detaljerat i monteringsanvisningarna, vänd dig, för din egen säkerhets skull, till leverantören/återförsäljaren.

### 2.3. Säkerhetsanvisningar för användaren

- Barn under 8 år får inte använda utrustningen.
- Under följande förutsättningar får utrustningen användas av barn över 8 år, av personer med nedsatt psykisk, sensorisk eller mental förmåga och av personer som saknar erfarenhet och kunskap om liknande utrustningar:
  - under uppsikt.
  - när de har instruerats om säker användning och känner till vilka risker som kan uppstå.
- Utrustningen är ingen leksak. Barn får inte leka med den.
- Barn under 14 år får endast rengöra utrustningen under uppsikt.
- Av hälsoskäl bör man inte bada bastu när man är påverkad av alkohol, läkemedel eller droger.
- Värm upp extraförångaren en halvtimme **INNAN** du ska använda bastun för första gången. Vistas **INTE** i basturummet under denna tid. Vädra därefter basturummet ordentligt (se **5.2. Den första uppvärmningen** på sidan **18**).
- Kontrollera att det inte finns några brännbara föremål på bastuaggregatet eller extraförångaren innan bastustyrenheten slås på.

- Vidrör aldrig extraförångaren när den är igång. Extraförångarens yta blir mycket het.
- Under drift ska man kontrollera att man inte kommer i omedelbar kontakt med utsipprande ånga. Utsipprande ånga är mycket het och man kan bränna sig.
- Tillsätt inte örter, essenser eller doftämnen direkt i förångarbehållaren, utan använd keramikskålen ovanför förångaren.
- Häll ALDRIG vatten i den heta förångarbehållaren. Kontrollera och fyll på förångarbehållaren varje gång innan du startar kombiläget. Om överhettningsskyddet har stängt av förångarens värme, eller om styrenheten signalerar att det råder vattenbrist, låt förångaren svalna INNAN du häller i vatten i förångarbehållaren. Under den tid man fyller på vatten eller utför rengöring får enheten inte vara kopplad till ström.
- Om det uppstår problem som inte beskrivs tillräckligt detaljerat i bruksanvisningen, vänd dig, för din egen säkerhets skull, till leverantören/återförsäljaren.



## 3. Produktbeskrivning

### 3.1. Leveransomfattning

- Extraförångare med monteringslist
- Monterings- och bruksanvisning
- Keramikskål för örter och doftämnen

### 3.2. Tillbehör

<i>Tillbehör</i>	<i>Artikelnummer</i>
Automatisk påfyllning	CP-RC-AF
Uppsättning hållare för kantribbor	CP-RM-HSR-4S
Kantribba av trä för extraförångare VALNÖT	CP-RM-N-4S
Kantribba av trä för extraförångare LIND	CP-RM-L-4S

### 3.3. Funktioner

Med hjälp av extraförångaren RB kan man uppgradera en bastu med ett finskt bastuaggregat. När man installerar den extra förångaren kan man använda sig av de nedanstående driftsätten:

- **Finsk bastu:** vanligtvis 80 till 100 °C; ca 10 % rel. luftfuktighet
- **Kombiläge** (endast i kombination med en kombistyrenhet): ca 40 till 65 °C, 35 % till ca 70 % luftfuktighet. Den max. tillåtna luftfuktigheten blir lägre ju högre temperaturen är.

I kombiläget kan du lägga i doftämnen eller torkade örter i keramikskålen ovanför förångaren. Den uppstigande ångan frigör eteriska oljor ur örterna eller sprider doftämnena i basturummet.

## 4. Installation och anslutning

Observera följande punkter vid montering och anslutning av extraförångaren:



### **VARNING!**

#### **Risk för elektriska stötar**

- Montering/installation och anslutning av extraförångaren får endast göras i spänningslöst tillstånd.

- Elanslutningarna får endast utföras av utbildad elektriker.
- På plats ska en allpolig fränksiljare med komplett avstängning enligt över-spänningskategori III installeras.
- Extraförångaren R ska monteras i bastuväggen.
- Iaktta de minimiavstånd som finns angivna i 4.2. vid montering.

### 4.1. Installationsplats

Montera förångaren på en lämplig plats i bastuväggen eller på bastuaggregatet Concept R och glöm inte att ta hänsyn till de angivna säkerhetsavstånden.

### 4.2. Säkerhetsavstånd

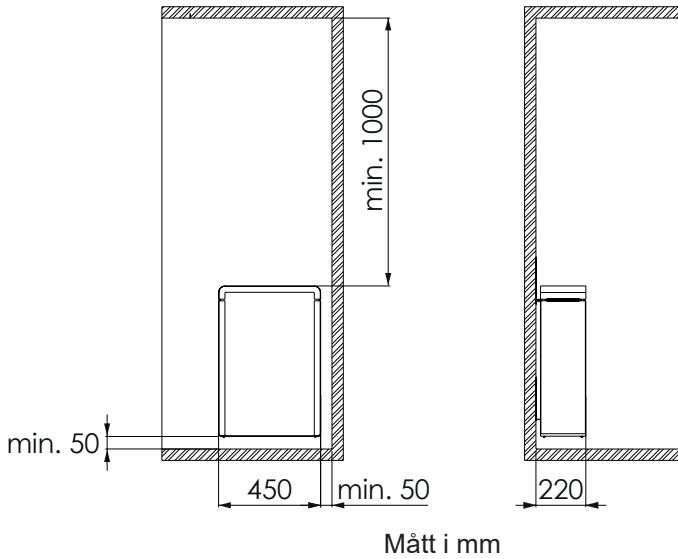
Observera de minsta säkerhetsavstånden som finns angivna i **Bild 1** (sida **12**).

### 4.3. Montering på väggen

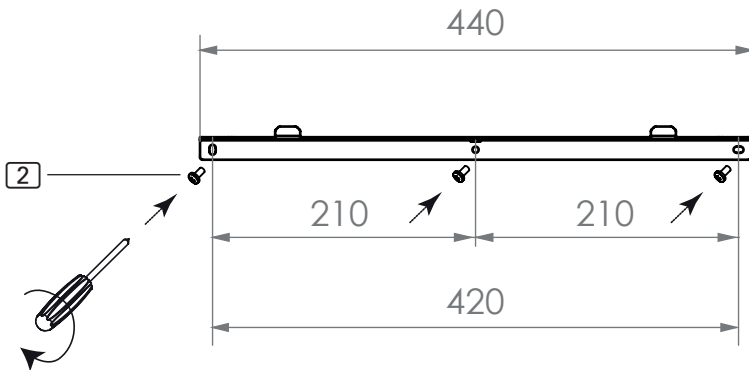
Observera **Bild 1**, **Bild 2**, **Bild 3** och **Bild 3** (sida **12**, **13**).

1. Fäst monteringslisten **1** vågrätt på väggen med medföljande träskruvar **2**. Iaktta minimiavstånden för extraförångaren i **Bild 1**.
2. Häng förångaren **3** uppifrån och ned på monteringslisten. Förångaren ska sitta rakt och jämnt mot monteringslisten.
3. Lås fast förångaren **3** med hjälp av den medföljande skruven **4** på monteringslisten **1**.

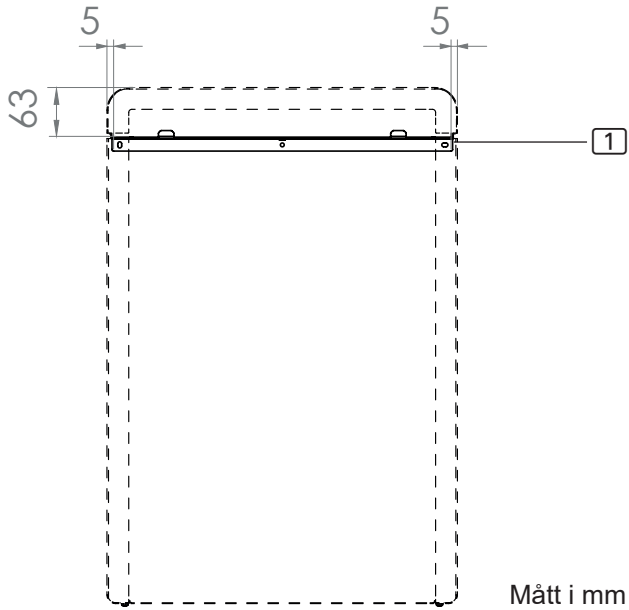
**Bild 1** Säkerhetsavstånd för extraförångaren RB 2,5 kW



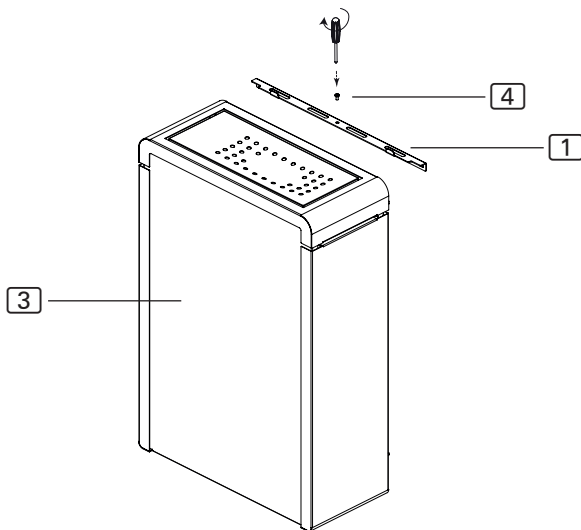
**Bild 2** Monteringslist för extraförångaren RB 2,5 kW



**Bild 3** Monteringslistens placering



**Bild 4** Lås för extraförångaren RB (monteringslist) 2,5 kW



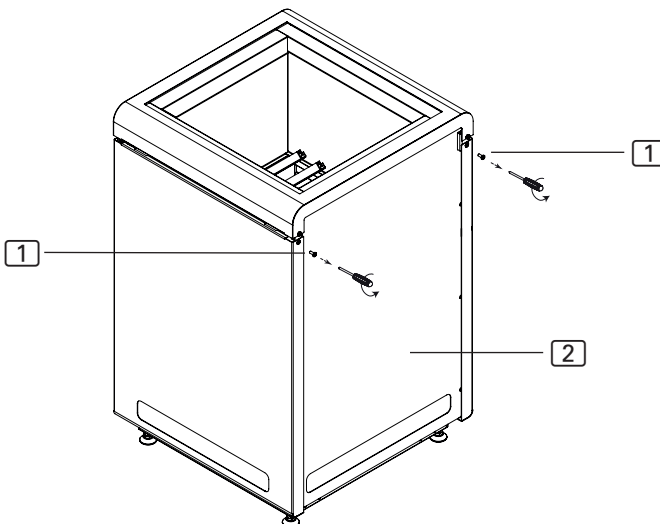
#### 4.4. Montering på bastuaggregatet Concept R

Om du har ett finskt bastuaggregat av typen Concept R kan du uppgradera till ett kombiaggregat med hjälp av extraförångaren R. Glöm inte att kontrollera att bastustyrenheten kan användas för kombidrift.

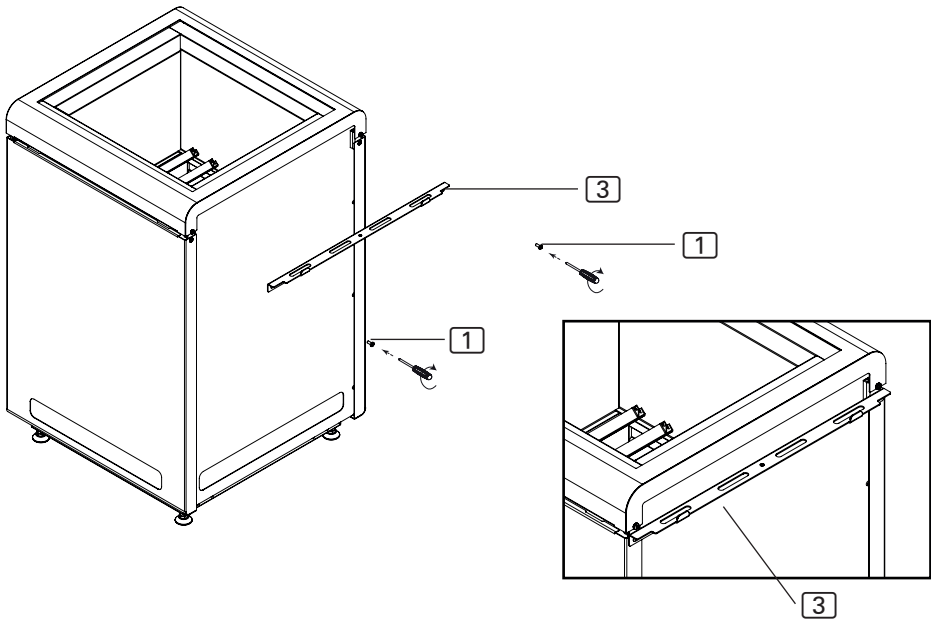
Tänk på säkerhetsavstånden **Bild 1** (sida 12) och **Bild 5, Bild 6, Bild 7** (sida 14, 15).

1. På valfri sida om bastuaggregatet Concept R **2** lossar man på skruvarna **1**.
2. Fäst monteringslisten **3** enligt **Bild 6** med skruvarna **1** på bastuaggregatet Concept R. Ta hänsyn till minimiavstånden som finns angivna i bruksanvisningen för aggregatet på bastuaggregatets installationsplats.
3. Häng förångaren **4** uppifrån och ned i monteringslisten **3**. Förångaren ska sitta rakt och jämnt mot monteringslisten.
4. Lås fast förångaren **4** med hjälp av den medföljande skruven **5** på monteringslisten **3**.

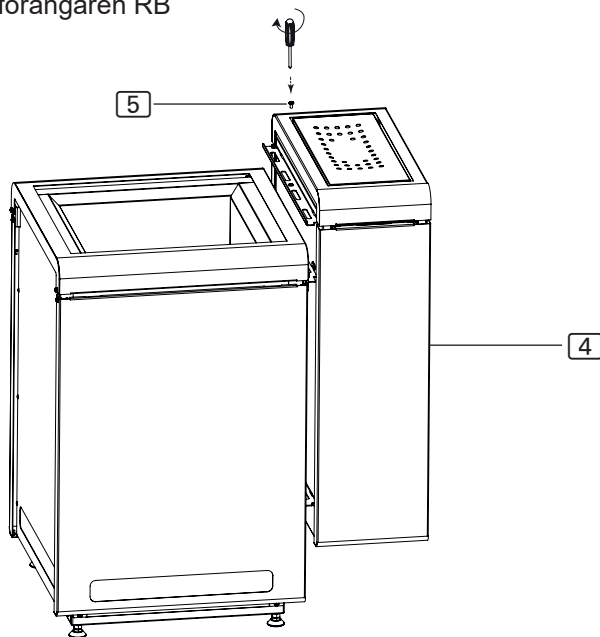
**Bild 5** Lossa skruvarna på bastuaggregatet Concept R



**Bild 6** Fästa monteringslisten på bastuaggregatet Concept R

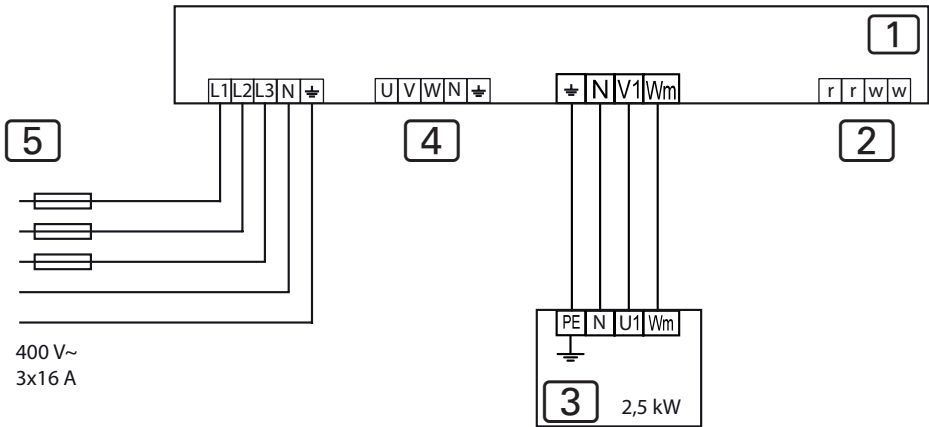


**Bild 7** Lås för extraförångaren RB



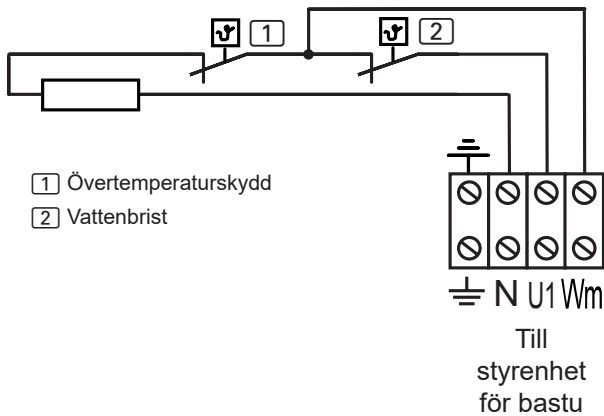
### 4.5. Kopplingsschema

**Bild 8** Kopplingsschema för extraförångaren 2,5 kW



- 1 Styrenhet
- 2 Temperaturgivare med övertemperaturskydd
- 3 Extraförångare 2,5 kW
- 4 Värmesystem 9 kW eller 10,5 kW
- 5 Strömförsörjning

**Bild 9** Kopplingsscheman - värmesystem

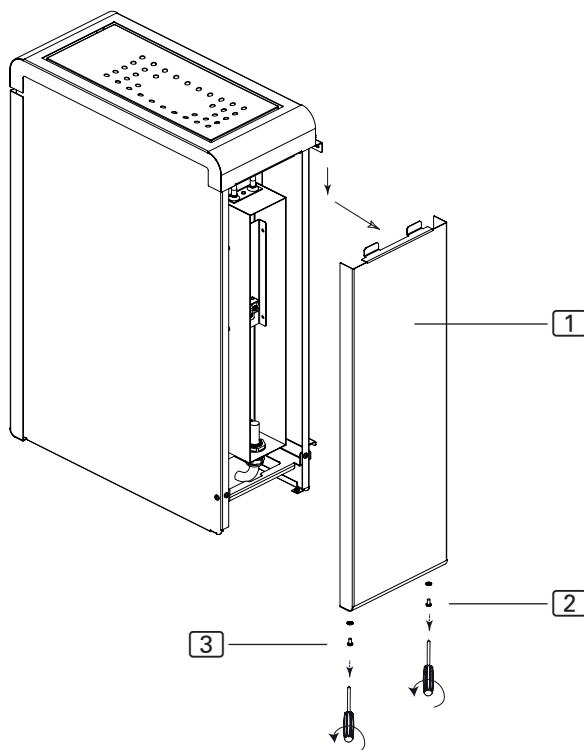


- 1 Övertemperaturskydd
- 2 Vattenbrist

## 4.6. Elanslutning

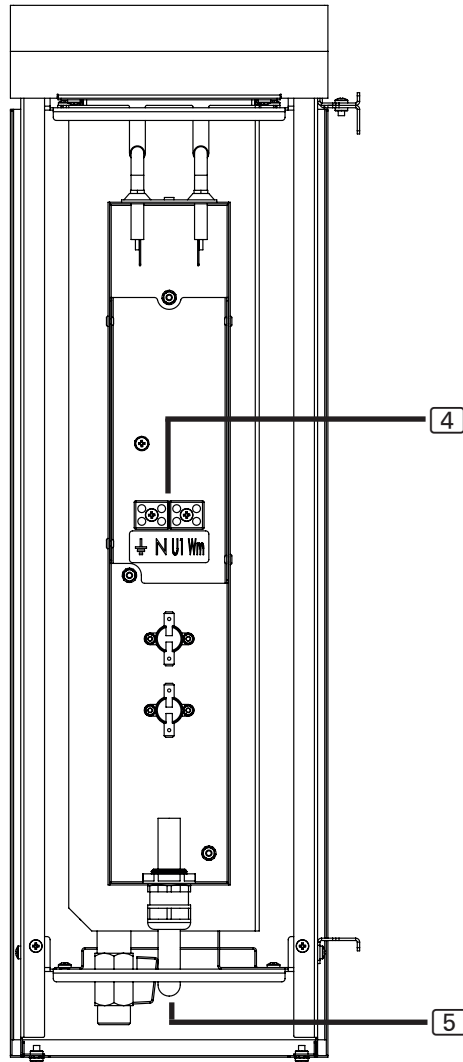
1. Skruva loss skruvarna **2** och **3** med en skruvmejsel.
2. Ta bort täckplåten **1**.
3. Dra förångarens anslutningskabel genom genomföringen **5**.
4. Anslut ledarna för den här anslutningskabeln till plintarna PE – N – U1 – Wm på anslutningslisten **4** och till lämpliga plintar tillhörande bastuaggregatet. Läs installationsanvisningarna för styrenheten.
5. Montera tillbaka täckplåten **1** på extraförångaren R.

**Bild 10** Ta bort täckplåten





**Bild 11** Anslutningsplintar för extraförångare R



- 4 Anslutningslist för förångaren
- 5 Genomföring för anslutningskabeln

## 5. Driftstart

### 5.1. Sätta in keramikskålen

- Sätt keramikskålen på förångarbehållaren - enligt bilden till höger.

### 5.2. Den första uppvärmningen



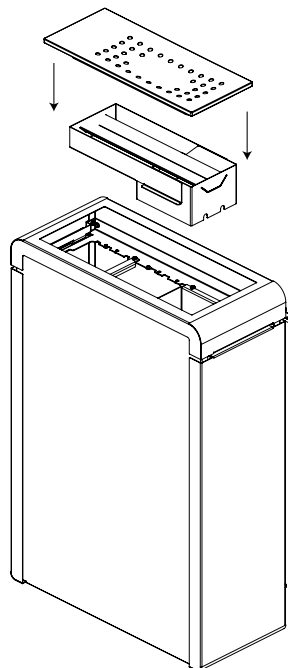
#### **AKTA!**

#### **Rök- och luktutveckling vid den första uppvärmningen**

På nya värmestavar finns det rester från tillverkningsprocessen. Dessa bryts ner när extraförångaren värms upp för första gången. När detta sker bildas det rök och en obehaglig lukt. Inandning av röken och ångorna utgör en hälsofara.

Vidta de nedanstående åtgärderna när du använder extraförångaren **för första gången** eller om **extraförångarens värmestavar har bytts ut**. På det här sättet kan du undvika skadliga effekter av ångorna och röken som bildas vid den första uppvärmningen.

1. Värma upp förångaren för första gången
  - a. Välj en låg temperatur och en hög luftfuktighet på styrenheten.
  - b. Värm upp förångaren **UTAN** vatten.  
**Vistas INTE i basturummet under denna tid.**
    - Efter ca 15 minuter stänger övertemperaturskyddet av förångaren.
  - c. Låt förångaren svalna (ca en halvtimme).
  - d. Upprepa punkt 1.b.
  - e. Vädra bastun ordentligt efter uppvärmningen.



- f. Om det inte alstras någon rök eller lukt i samband med nästa uppvärmning ska man skölja den svalnade förångaren med kranvatten. Sedan kan du njuta av ditt första bastubad.  
Om rök eller lukt- uppstår, lämna omedelbart basturummet, upprepa den första uppvärmningen och vädra därefter bastun igen.

## 6. Användning

Förångaren RB styrs via en styrenhet. Användningen av styrenheten beskrivs i tillhörande bruksanvisning.

### 6.1. Finsk bastu

Vid finsk bastu används endast bastuaggregatets värmesystem. Bastun ger endast torr värme. Temperaturen i bastun är hög (80 till 100 °C). Fukthalten är låg, max. 10 %. Styrenheten används för att reglera temperaturen i bastun.

Man kan avsluta bastubadet med att hålla vatten på stenarna. Håll vatten på bastustenarna med en bastuskopa. Vattnet förångas och luften blir fuktigare i bastun.

Beakta bastuaggregatets anvisning.

### 6.2. Kombidrift

Vid kombidrift används både bastuaggregatets värmesystem och extraförångaren. Temperaturen i bastun är lägre än vid finsk bastu (ca 40 till 65 °C), men den relativa luftfuktigheten är betydligt högre, mellan 35 % och 70 %. Den max. tillåtna luftfuktigheten blir lägre ju högre temperaturen är. Temperaturen och luftfuktigheten i bastun regleras av styrenheten.

Förångarbehållaren måste fyllas på manuellt. Om vattnet i förångarbehållaren tar slut stänger överhettningsskyddet automatiskt av förångarens värme. Vattenbristen signaleras till styrenheten som indikerar detta t.ex. genom en ljudsignal och meddelandet "FILL".



Auto-Refill-set (CP-RC-AF) möjliggör en fast vattenanslutning, vilket medför att förångarbehållaren kan fyllas på automatiskt.

**OBS!****Risk för skador på förångaren**

Saltvatten, starkt kalkhaltigt eller klorerat vatten, örter, essenser eller doftämnen kan leda till skador på bastuaggregatet.

- Fyll endast på kranvatten i förångarbehållaren.
- Tillsätt inte örter, essenser eller doftämnen direkt i förångarbehållaren, utan använd keramikskålen ovanför förångaren.
- Avkalka förångaren med jämna mellanrum (se **7.13.** på sida **22**).

**Fylla på förångaren****FÖRSIKTIGHET!****Skållningsrisk**

Om du håller vatten i den heta förångarbehållaren bildas det het ånga.

- Häll ALDRIG vatten i den heta förångarbehållaren.
- Kontrollera och fyll på förångarbehållaren varje gång innan du startar kombiläget.
- Om överhettningsskyddet har stängt av förångarens värme, eller om styrenheten signalerar att det råder vattenbrist, låt förångaren svalna INNAN du håller i vatten i förångarbehållaren.

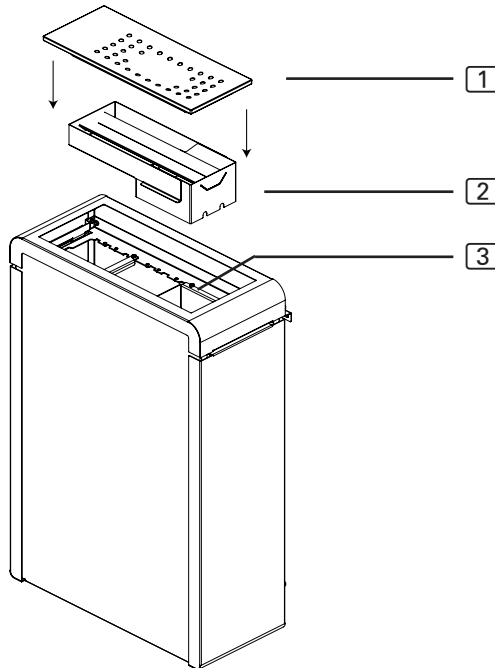
**FÖRSIKTIGHET!****Skållningsrisk**

Om förångarbehållaren är överfylld sprutar kokande vatten ut ur förångarbehållaren.

- Fyll endast på förångarbehållaren till max-markeringen.

1. Ta bort keramikskålen [1] och förångartratten [2].
2. Ställ ett uppsamlingskärl (på minst 5 liter) under kulventilen på förångarens botten.
3. Vrid kulventilen åt vänster tills det resterande vattnet rinner ut.
4. Stäng kulventilen när förångarbehållaren [3] är tom.

5. Fyll på förångarbehållaren till max-markeringen **3** med rent kranvatten. Det behövs ca 5 liter vatten. Med denna mängd kan man använda förångaren i ca 1 timme.
6. Sätt tillbaka keramikskålen **1** och förångartratten **2**.

**Bild 12** Förångarens konstruktion

SV

### **Användning av doftämnen och örter**

Du kan lägga i doftämnen eller torkade örter i keramikskålen. Observera följande:

- Tillsätt inte doftämnen direkt i förångarbehållaren.
- Observera anvisningarna på förpackningarna till örterna och doftämnena.



### **FÖRSIKTIGHET!** **Skållningsrisk**

Var försiktig när du fyller på keramikskålen eller förångartratten, så att doftämnena inte droppar ned i förångarbehållaren. Annars kan det kande vattnet skumma över.

## 7. Underhåll

### 7.1. Rengöring av förångarbehållaren

Töm och rengör förångarbehållaren efter varje användning. Gör på följande sätt:

1. Vänta tills vattnet i förångaren har svalnat.
2. Ställ ett uppsamlingskärl under kulventilen på förångarens botten.
3. Vrid kulventilen åt vänster tills det resterande vattnet rinner ut.
4. Stäng kulventilen när förångarbehållaren [3] är tom.
5. Ta bort keramikskålen [1] och förångartratten [2].
6. Rengör förångarbehållaren [3] und och förångartratten [2] med en borste med plastborst. Skölj med vatten.
7. Sätt tillbaka keramikskålen [1] och förångartratten [2].

### 7.2. Rengöring av keramikskålen

Rengör keramikskålen [1] för örter och essenser i en diskmaskin.

### 7.3. Avkalkning av förångarbehållaren

Avkalka förångarbehållaren [3] efter behov. Använd ett avkalkningsmedel för hushållsapparater. Observera tillverkarens uppgifter och säkerhetsanvisningar.

1. Förbered avkalkningslösningen enligt tillverkarens uppgifter.
2. Fyll på avkalkningslösning i förångaren till max-markeringen.
3. Låt avkalkningslösningen koka i 10 minuter. **Vistas INTE i basturummet under denna tid.**
4. Vänta tills avkalkningslösningen i förångaren har svalnat.
5. Vädra sedan bastun ordentligt.
6. Ställ en uppsamlingsbehållaren under kulventilen på förångarens botten och töm förångarbehållaren.
7. Spola förångarbehållaren 2 gånger med kranvatten.

## 8. Problemlösning

**Problem:** Förångaren fungerar inte trots att den är strömsatt.

**Problemlösning:** Kontrollera övertemperaturskyddet:



### VARNING!

**Risk för elektriska stötar**

- Utför endast de nedanstående arbetsuppgifterna vid bruten elström.

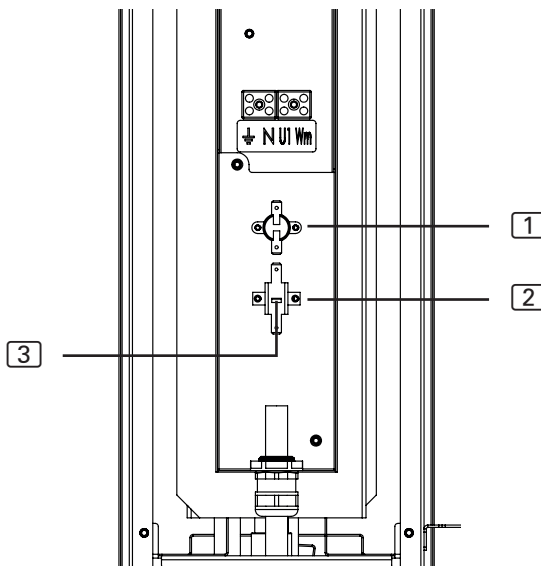
Det finns två temperaturbrytare i extraförångarens anslutningsområde:

- **1 Temperaturbrytare**

Temperaturskydd med automatisk återställning. Skyddet aktiveras när det inte finns tillräckligt med vatten i förångarbehållaren. Värmestaven stängs av och från bastustyrenheten avges det ett felmeddelande.

- **2 Övertemperaturskydd**

Den här säkringen aktiveras om förångarbehållaren blir för varm och förhindrar därmed att värmestaven skadas. Tryck på metallbygeln för att återställa skyddet **3**, som sitter mitt på skyddet.



## 9. Bortskaffning



- Ta hand om förpackningsmaterialet enligt gällande bestämmelser.
- Enheterna innehåller både återanvändbart material och skadliga ämnen. Släng inte en uttjänt produkt i hushållssoporna, utan lämna den till återvinning enligt gällande bestämmelser.

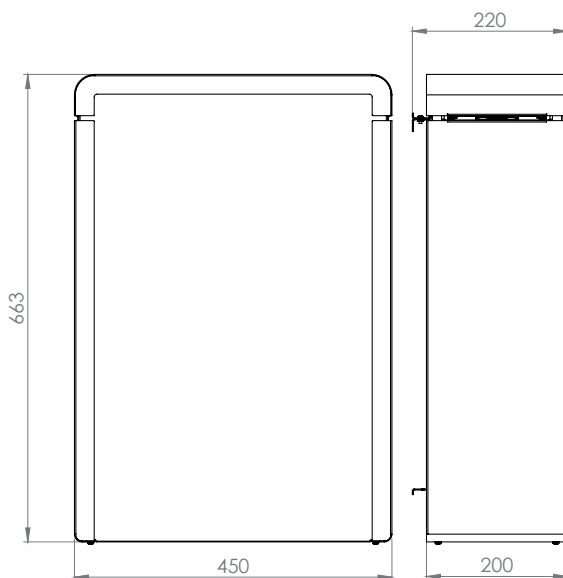


## 10. Tekniska data

Dimensionerna för förångaren RB finns i **Bild 13**.

Artikel-nummer	Effekt, förångare [kW]	Vikt [kg]	Säkring [A]	Matningsspänning
CP-25-STP-B	2,5	18	16	230V AC 1N~ 50/60 Hz

**Bild 13** Dimensioner förångare RB



Mått i mm

SV

Reservdelar	Artikelnummer	
Värmestång	1-044-997	1
Temperaturbrytare	1-026-881	1
Övertemperaturskydd	1-027-243	1



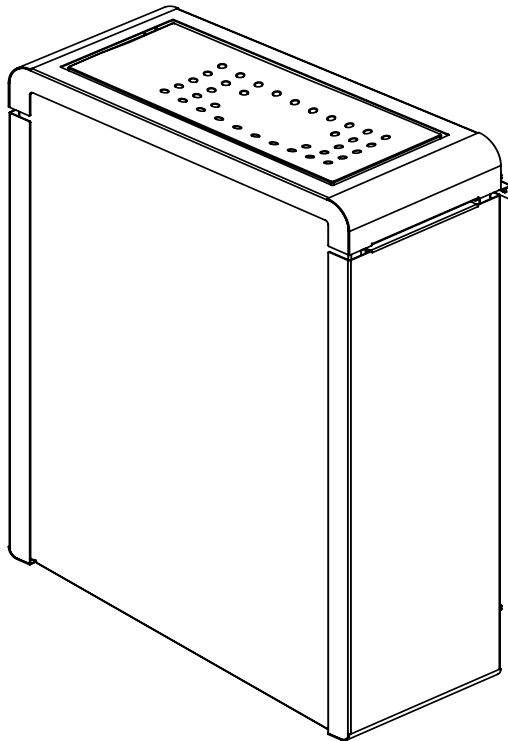


# Evaporator

## RB 2,5 kW

1-027-762 / CP-25-STP-B

ASENNUS- JA KÄYTTÖOHJEET  
Suomi



FI

# Sisällysluettelo

<b>1. Sananen näistä ohjeista</b>	<b>4</b>
<b>2. TÄRKEITÄ OHJEITA turvallisuutesi varmistamiseksi</b>	<b>5</b>
2.1. Käyttötarkoitus	5
2.2. Turvaohjeita asentajalle	6
2.3. Turvaohjeita käyttäjälle	7
<b>3. Tuotekuvaus</b>	<b>9</b>
3.1. Toimituskokonaisuus	9
3.2. Lisävarusteet	9
3.3. Tuotteen toiminnot	9
<b>4. Asennus ja liitäntä</b>	<b>10</b>
4.1. Asennuspaikka	10
4.2. Suojaetäisyydet	10
4.3. Asennus saunahuoneen seinään	10
4.4. Asennus Concept R -kiukaaseen	13
4.5. Liitäntäkaavio	15
4.6. Sähköliitäntä	16
<b>5. Käyttöönotto</b>	<b>18</b>
5.1. Keraamisen astian asettaminen paikalleen	18
5.2. Ensimmäinen lämmityskerta	18
<b>6. Käyttö</b>	<b>19</b>
6.1. Suomalainen saunakäyttö	19
6.2. Yhdistelmäkäyttö	19

<b>7. Huolto</b>	<b>22</b>
7.1. Höyrystimen säiliön puhdistaminen .....	22
7.2. Keraamisen astian puhdistaminen.....	22
7.3. Höyrystimen säiliön kalkinpoisto.....	22
<b>8. Ongelmanratkaisu</b>	<b>23</b>
<b>9. Hävittäminen</b>	<b>24</b>
<b>10. Tekniset tiedot</b>	<b>25</b>

# 1. Sananen näistä ohjeista

Lue nämä asennus- ja käyttöohjeet huolellisesti läpi ja säilytä niitä saunan lähellä. Näin voit katsoa turvallisuuttasi sekä käyttöä koskevia tietoja milloin tahansa.



Asennus- ja käyttöohjeet saat myös Internet-sivujemme materiaalinlaatusosiosta osoitteesta [www.sentiotec.com/downloads](http://www.sentiotec.com/downloads).

## Symbolit ja varoitukset

Näissä asennus- ja käyttöohjeissa annetaan varoitus ennen toimia, jotka muodostavat vaaratekijän. Näitä varoituksia on ehdottomasti noudatettava. Näin vältät esinevahingot ja loukkaantumiset, jotka pahimmassa tapauksessa voivat aiheuttaa jopa kuoleman.

Varoituksissa käytetään huomiosanoja, joiden merkitys on seuraava:



### **VAARA!**

Jos et noudata tätä varoitusta, seurauksena on kuolema tai vakava loukkaantuminen.



### **VAROITUS!**

Jos et noudata tätä varoitusta, seurauksena voi olla kuolema tai vakava loukkaantuminen.



### **VARO!**

Jos et noudata tätä varoitusta, seurauksena voi olla lievä loukkaantuminen.

## **HUOMIO!**

Tällä huomiosanalla varoitetaan esinevahingoista.

## **Muut symbolit**



Tällä symbolilla merkitään vinkit ja hyödylliset ohjeet.



Lue käyttöohjeet



VARO: Kuuma vesihöyry

## **2. TÄRKEITÄ OHJEITA turvallisuutesi varmistamiseksi**

Lisähöyrystin RB on valmistettu hyväksytyjen turvallisuusteknisten ohjeiden mukaan. Käytön yhteydessä voi silti ilmetä vaaroja. Noudata siksi seuraavia turvaohjeita ja yksittäisissä luvuissa annettuja erityisiä varoituksia.

### **2.1. Käyttötarkoitus**

Lisähöyrystintä RB saa käyttää ainoastaan ilmankosteuden lisäämiseen saunahuoneessa ja vain yhdessä höyrystintoiminnolla varustetun ohjauskeskuksen sekä kiukaan kanssa.

Muunlaisen käytön katsotaan poikkeavan tuotteen käyttötarkoituksesta. Tuotteen käyttötarkoituksesta poikkeava käyttö voi johtaa tuotteen vaurioitumiseen, vakaviin vammoihin tai kuolemaan.

## 2.2. Turvaohjeita asentajalle

- Lisähöyrystimen parissa tehtävät asennus- ja liitännätöyöt saa suorittaa vain silloin, kun lisähöyrystin ei ole kytkettynä virtalähteeseen.
- Vain sähköalan ammattilainen tai vastaavan pätevyyden omaava henkilö saa suorittaa asennuksen.
- Asiakkaan on järjestettävä ylijännitekategorian III mukainen kaikkinaipainen erotuslaite, joka takaa täyden katkaisun.
- Käytä lisähöyrystimen liittämiseen ainoastaan 150 °C kestäviä silikonijohtoja.
- Saunahuoneen katto ja seinät on valmistettava pihkaamattomasta, käsittelemättömästä tai lämpökäsitellystä puusta, esim. kuusesta, hemlokista, männystä tai pihdasta tai kertopuumateriaaleista. Kertopuumateriaaleja käytettäessä on varmistettava, että niiden liimoista ei irtoa formaldehydiä. Jos saunahuoneessa käytetään muita materiaaleja kuin puuta, näiden materiaalien pitää kestää kuumuutta ja korroosiota, eikä niillä saa olla kielteistä vaikutusta saunojien terveyteen.
- Asentaessasi lisähöyrystintä R ota huomioon vähimmäissuojaetäisyydet (katso kappale **4.2. Suojaetäisyydet** sivulla **10**).
- Noudata myös sijoituspaikan paikallisia määräyksiä.
- Käänny oman turvallisuutesi vuoksi toimittajasi puoleen sellaisissa ongelmissa, joita ei käsitellä asennusohjeessa kyllin tarkasti.



### 2.3. Turvaohjeita käyttäjälle

- Alle 8-vuotiaat lapset eivät saa käyttää laitetta.
- Yli 8-vuotiaat lapset, fyysisiltä, sensorisilta tai henkisiltä kyvyiltään rajoittuneet henkilöt sekä henkilöt, joiden kokemus ja tiedot ovat puutteellisia, saavat käyttää laitetta seuraavin ehdoin:
  - jos he ovat valvonnan alaisia.
  - jos heille on näytetty turvallinen käyttö ja he ymmärtävät vaarat, joita voi syntyä.
- Lapset eivät saa leikkiä laitteella.
- Alle 14-vuotiaat lapset saavat puhdistaa laitteen vain valvonnan alaisina.
- Jätä saunominen terveydellisistä syistä väliin, jos olet alkoholin, lääkkeiden tai huumeiden vaikutuksen alaisena.
- Lämmitä lisähöyrystintä puoli tuntia ENNEN ensimmäistä saunomista. ÄLÄ oleskele tänä aikana saunahuoneessa. Tuuleta saunahuone lopuksi hyvin (katso **5.2. Ensimmäinen lämmityskerta** sivulla **18**).
- Ennen kuin kytket ohjauskeskuksen päälle, varmista, ettei kiukaan ja lisähöyrystimen päällä ole tulenarkoja esineitä.

- Älä koske lisähöyrystimeen käytön aikana. Lisähöyrystimen pinta kuumenee hyvin kuumaksi.
- Vältä käytön aikana suoraa kosketusta höyrystimestä tulevan höyryn kanssa. Höyrystimestä tuleva höyry on hyvin kuumaa ja aiheuttaa palovammojen vaaran.
- Älä lisää yrtejä, esansseja tai tuoksuja suoraan höyrystimen säiliöön vaan ainoastaan höyrystimen päällä olevaan keraamiseen astiaan.
- **ÄLÄ KOSKAAN** kaada vettä kuumaan höyrystimen säiliöön. Tarkasta ja täytä höyrystinsäiliö aina ennen yhdistelmätoiminnon käyttöä. Anna höyrystimen jäähtyä **ENNEN** veden täyttämistä höyrystinsäiliöön, jos ylikuumenemissuoja on katkaissut höyrystimen lämmityksen tai jos ohjauskeskus ilmaisee vedenpuutteen. Laitte täytyy irrottaa verkkovirrasta veden lisäämisen ja laitteen puhdistamisen ajaksi.
- Käänny oman turvallisuutesi vuoksi toimittajasi puoleen sellaisissa ongelmissa, joita ei käsitellä käyttöohjeessa kyllin tarkasti.

## 3. Tuotekuvaus

### 3.1. Toimituskokonaisuus

- Lisähöyrystin ja asennuslista
- Asennus- ja käyttöohjeet
- Keraaminen astia yrteille ja tuoksuille

### 3.2. Lisävarusteet

<i>Lisävarusteet</i>	<i>Tuotenumero</i>
Automaattinen täyttö	CP-RC-AF
Kaiteen pidikesarja	CP-RM-HSR-4S
Lisähöyrystimen puukaide PÄHKINÄPUU	CP-RM-N-4S
Lisähöyrystimen puukaide LEHMUS	CP-RM-L-4S

### 3.3. Tuotteen toiminnot

Lisähöyrystin RB on lisävaruste saunaan, jossa on suomalainen kiuas. Kun höyrystin asennetaan, ovat seuraavat käyttötavat mahdollisia:

- **Suomalainen saunakäyttö:** yleensä 80...100 °C; suhteellinen ilmankosteus noin 10 %
- **Yhdistelmätoiminto** (ainoastaan yhdessä yhdistelmäohjauksen kanssa): noin 40...65 °C, ilmankosteus 35 % ... n. 70 %. Sallittu maksimi-ilmankosteus laskee lämpötilan noustessa. Yhdistelmätoiminnossa voit halutessasi lisätä tuoksuja tai kuivattuja yrtejä höyrystimen yläpuolella olevaan keraamiseen astiaan. Nouseva höyry vapauttaa yrteistä eteerisiä öljyjä tai levittää saunaan tuoksua.

## 4. Asennus ja liitântä

Ota huomioon seuraavat kohdat, kun asennat ja liität lisähöyrystintä:



### **VAROITUS!**

#### **Sähköiskuvaara**

- Tee lisähöyrystimen asennus- ja liitântätöet ainoastaan sen ollessa jännitteetön.

- Vain sähköalan ammattilainen tai vastaavan pätevyuden omaava henkilö saa suorittaa sähköliitântät.
- Asiakkaan on järjestettävä ylijännitekategorian III mukainen kaikkinaipainen erotuslaite, joka takaa täyden katkaisun.
- Lisähöyrystin R on tarkoitettu asennettavaksi saunan seinään.
- Tehdessäsi asennustöitä noudata kappaleessa 4.2 ilmoitettuja vähimmäisetäisyyksiä.

### 4.1. Asennuspaikka

Asenna höyrystin sopivaan kohtaan saunahuoneen seinään tai Concept R -kiukaaseen, ja noudata ilmoitettuja suojaetäisyyksiä.

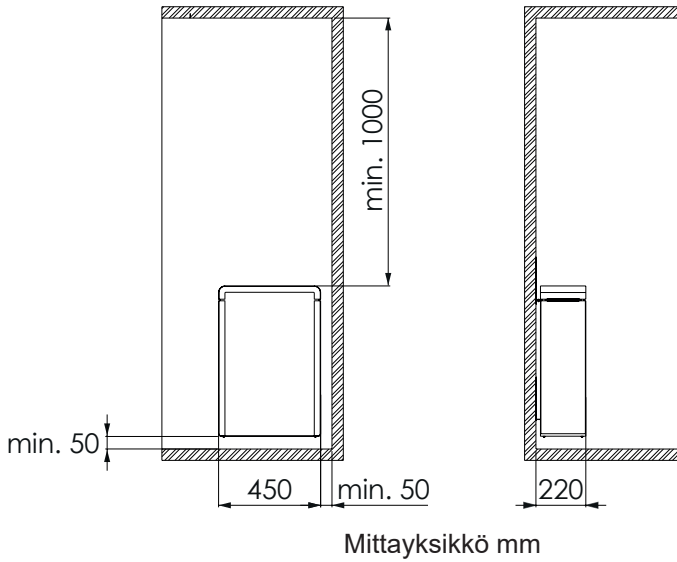
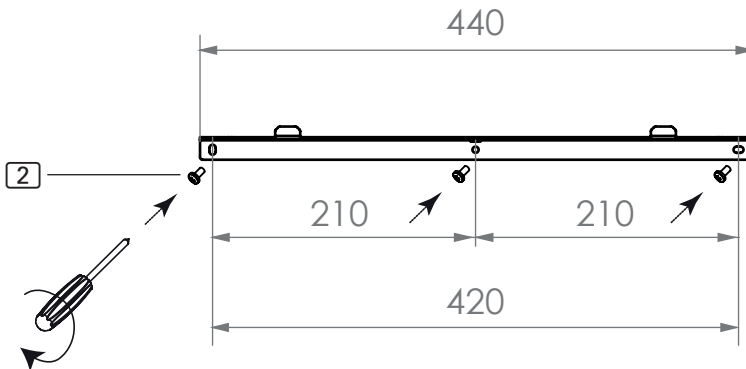
### 4.2. Suojaetäisyydet

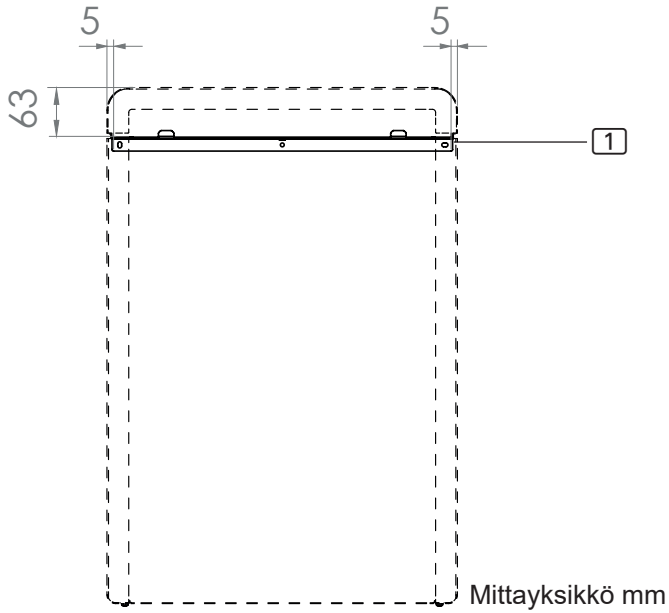
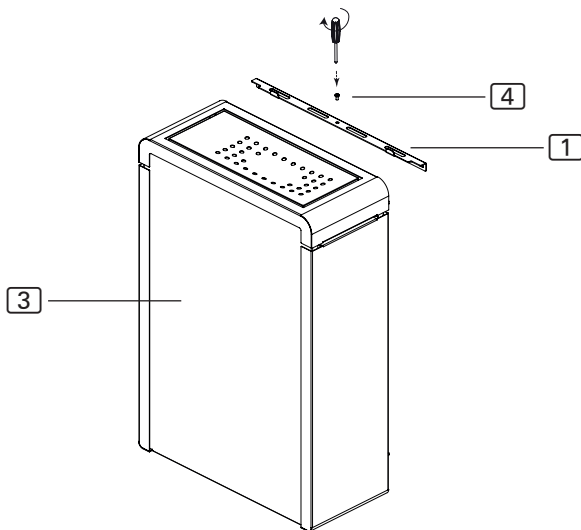
Ota vähimmäissuojaetäisyydet huomioon, ks. **Kuva 1** (sivu 12).

### 4.3. Asennus saunahuoneen seinään

Huomaa **Kuva 1**, **Kuva 2**, **Kuva 3** ja **Kuva 4** (sivu 12, 13).

1. Kiinnitä asennuslista **1** seinään vaakasuoraan oheisilla puuruuveilla **2**. Huomaa tällöin lisähöyrystimen suojaetäisyydet **kuvassa 1**.
2. Aseta höyrystin **3** asennuslistaan ylhäältä alaspäin. Varmista, että höyrystin on samassa tasossa asennuslistan kanssa.
3. Kiinnitä höyrystin **3** oheisella ruuvilla **4** asennuslistaan **1**.

**Kuva 1** Lisähöyrystimen RB 2,5 kW suojaetäisyydet**Kuva 2** Lisähöyrystimen RB 2,5 kW asennuslista

**Kuva 3** Asennuslistan sijainti**Kuva 4** Lisähöyrystimen RB (asennuslista) 2,5 kW sulake

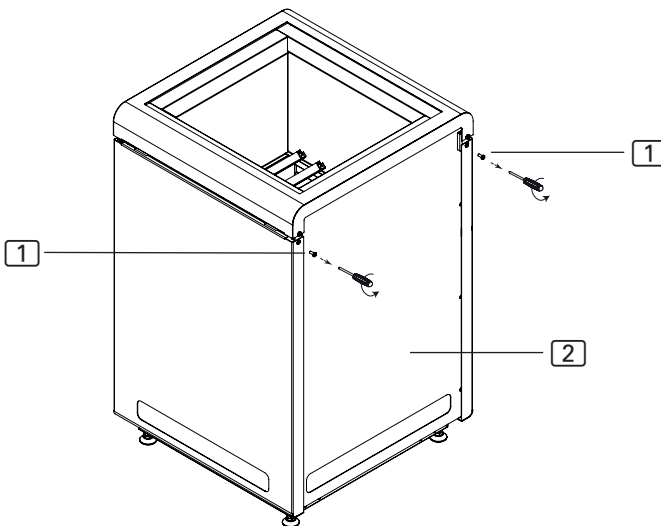
#### 4.4. Asennus Concept R -kiukaaseen

Suomalaisesta Concept R -kiukaasta voidaan tehdä yhdistelmäkuuas lisähöyrystimen R avulla. Varmista tällöin, että ohjauskeskuksesi soveltuu yhdistelmäkäyttöön.

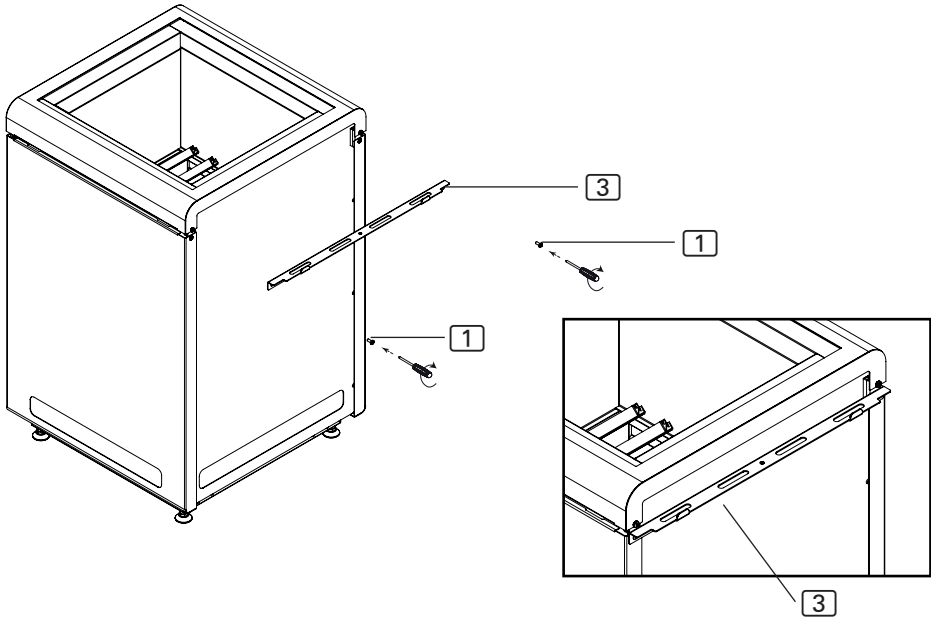
Huomaa suojaetäisyydet, ks. **Kuva 1** (sivu 12) ja **Kuva 5, Kuva 6, Kuva 7** (sivut 14, 15).

1. Avaa ruuvit **1** Concept R -kiukaasta **2** haluamaltasi puolelta.
2. Kiinnitä asennuslista **3** Concept R -kiukaaseen **kuvan 6** osoittamalla tavalla ruuveilla **1**. Noudata kiukaan asennuspaikalla kiukaan käyttöohjeissa ilmoitettuja vähimmäisetäisyyksiä.
3. Ripusta höyrystin **4** asennuslistaan **3** yläkautta. Varmista, että höyrystin on samassa tasossa asennuslistan kanssa.
4. Kiinnitä höyrystin **4** oheisella ruuvilla **5** asennuslistaan **3**.

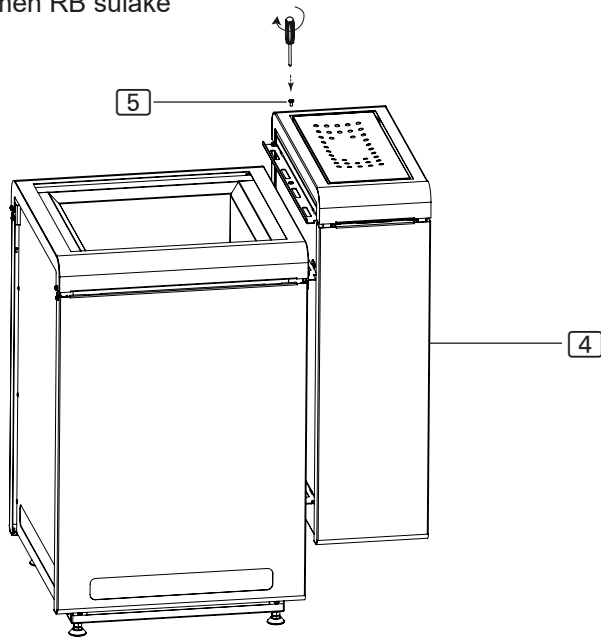
**Kuva 5** Avaa Concept R -kiukaan ruuvit



**Kuva 6** Kiinnitä asennuslista Concept R -kiukaaseen



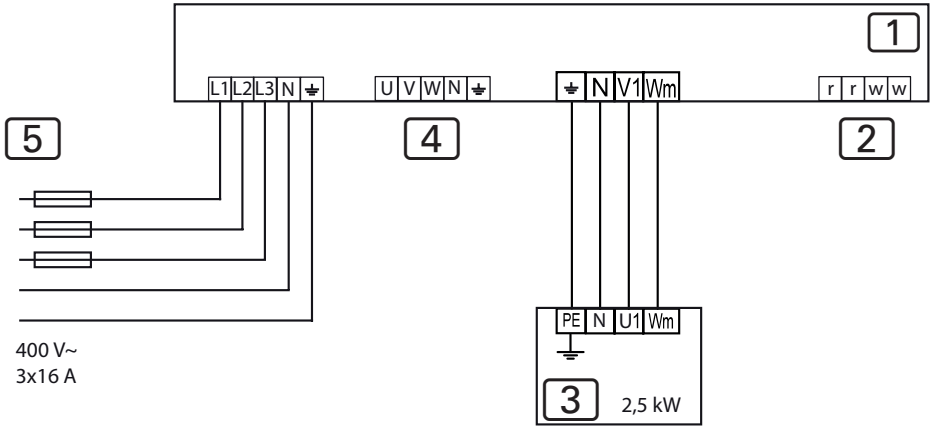
**Kuva 7** Lisähöyrystimen RB sulake





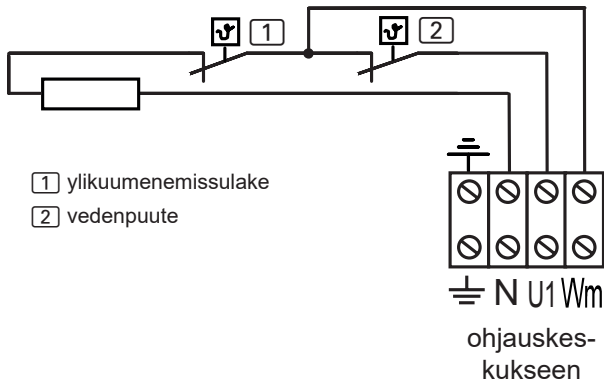
### 4.5. Liitântäkaavio

Kuva 8 Lisähöyrystimen 2,5 kW liitântäkaavio



- 1 ohjauskeskus
- 2 ylikuumenemissuojalla varustettu lämpötila-anturi
- 3 lisähöyrystin 2,5 kW
- 4 lämmitysjärjestelmä 9 kW tai 10,5 kW
- 5 sähkönsyöttö

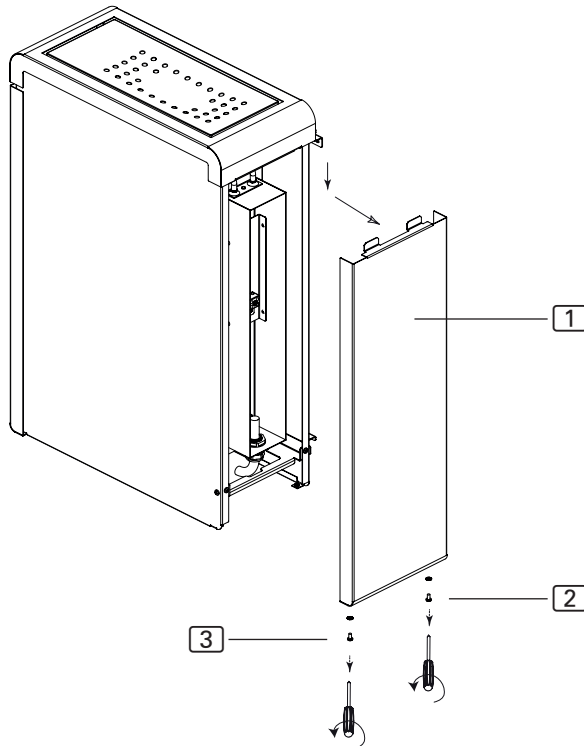
Kuva 9 Johdotuskaaviot - lämmitysjärjestelmä



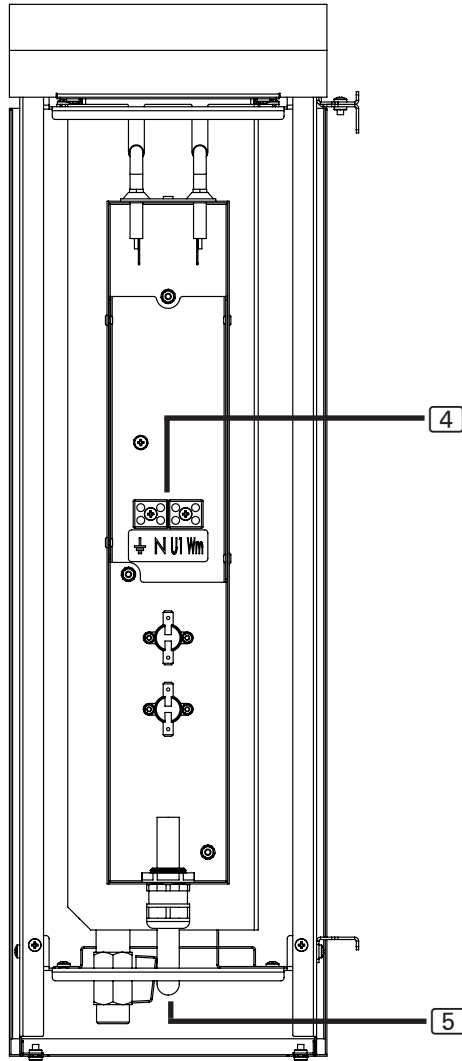
## 4.6. Sähköliitäntä

1. Avaa ruuvit **2** ja **3** ruuvimeisselillä.
2. Irrota katepelti **1**.
3. Vedä höyrystimen liitäntäjohto läpiviennin **5** kautta.
4. Liitä liitäntäjohton johtimet liitäntälistan liittimiin PE – N – U1 – Wm **4** ja ohjauskeskuksen sopiviin liittimiin. Noudata tällöin ohjauskeskuksen asennusohjetta.
5. Kiinnitä katepelti **1** uudelleen lisähöyrystimeen R.

**Kuva 10** Katepellin irrottaminen



Kuva 11 Lisähöyrystimen RB liittimet



4 höyrystimen liittämälista

5 liittämäjohdon läpivienti

## 5. Käyttöönotto

### 5.1. Keraamisen astian asettaminen paikalleen

- Aseta keraaminen astia höyrystinsäiliön päälle – alla olevan kuvan osoittamalla tavalla.

### 5.2. Ensimmäinen lämmityskerta



#### **VARO!**

#### **Ensilämmityksen aikana syntyy savua ja hajua**

Uusissa lämmitysvastuksissa on valmistusprosessista jääneitä käyttöaineita. Nämä tuhoutuvat höyrystimen ensimmäisellä lämmityskerralla. Samalla syntyy savua ja epämiellyttävää hajua. Näiden höyryjen tai savun hengittäminen on terveydelle haitallista.

Kun otat lisähöyrystimen **käyttöön ensimmäistä kertaa** ja kun **lisähöyrystimen lämmitysvastukset on vaihdettu**, tee seuraavat työvaiheet. Näin estät ensimmäisen lämmityskerran yhteydessä syntyvien höyryn ja savun aiheuttamat terveyshaitat.

#### 1. Höyrystimen lämmittäminen ensimmäistä kertaa

a. Valitse ohjauskeskuksesta matala lämpötila ja korkea ilmankosteus.

b. Lämmitä höyrystintä **ILMAN** vettä.

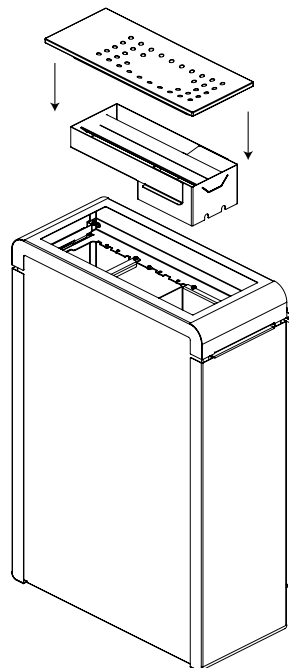
**ÄLÄ OLESKELE tänä aikana saunahuoneessa.**

► Noin 15 minuutin kuluttua ylikuumenemisulake kytkee höyrystimen pois päältä.

c. Anna höyrystimen jäähtyä (noin puolen tunnin ajan).

d. Toista vaihe 1.b.

e. Tuuleta saunahuone hyvin lämmityksen jälkeen.



- f. Jos seuraavan lämmittämisen aikana ei muodostu enää savua tai hajua, huuhtelee jäähtynyt höyrystin vesijohtovedellä. Sen jälkeen voit aloittaa ensimmäisen saunomisen. Jos savua tai hajua syntyy, poistu saunahuoneesta välittömästi ja toista ensimmäinen lämmittäminen ja tuuletus.

## 6. Käyttö

Lisähöyrystintä R käytetään ohjauskeskuksella. Tietoa ohjauskeskuksen käytöstä saat käytettävän laitteen käyttöohjeesta.

### 6.1. Suomalainen saunakäyttö

Suomalaisessa saunakäytössä käytetään ainoastaan kiukaan lämmitysjärjestelmää. Lämpö on tällöin kuivaa. Saunahuoneen lämpötila on korkea (80...100 °C). Kosteusarvot ovat vähäiset, enintään 10 %. Saunahuoneen lämpötilaa säädetään ohjauskeskuksella.

Saunomisen loppupuolella voit heittää löylyä. Kaada vettä kauhalla kiuaskivien päälle. Vesi höyrystyy, ja ilmankosteus saunahuoneessa kohoaa.

Noudata kiukaan käyttöohjeita.

### 6.2. Yhdistelmäkäyttö

Yhdistelmäkäytössä käytetään kiukaan lämmitysjärjestelmää ja lisähöyrystintä. Saunahuoneen lämpötila on alhaisempi (n. 40...65 °C) kuin suomalaisessa saunakäytössä, kun taas suhteellinen ilmankosteus on huomattavasti suurempi, 35 %...noin 70 %. Sallittu maksimi-ilmankosteus laskee lämpötilan noustessa. Saunahuoneen lämpötilaa ja ilmankosteutta säädetään ohjauskeskuksella.

Höyrystimen säiliö on täytettävä käsin. Kun höyrystimen säiliössä oleva vesi on kulutettu loppuun, ylikuumenemissuoja kytkee höyrystimen lämmityksen automaattisesti pois päältä. Vedenpuute ilmoitetaan ohjauskeskukselle, mistä se ilmaistaan esim. äänimerkillä ja ilmoituksella "FILL".



Automaattisella uudelleentäytöllä (CP-RC-AF) voi kiukaaseen liittää kiinteän vesipisteen, jolloin höyrystinsäiliö voidaan täyttää automaattisesti.

## HUOMIO!

### **Höyrystimen vauriot**

Merivesi, hyvin kalkkipitoinen ja kloorattu vesi, yrtit, esanssit tai tuoksut voivat vaurioittaa höyrystintä.

- Täytä höyrystimen säiliö ainoastaan vesijohtovedellä.
- Älä lisää yrtejä, esansseja tai tuoksuja suoraan höyrystimen säiliöön vaan ainoastaan höyrystimen päällä olevaan keraamiseen astiaan.
- Poista kalkki säännöllisesti höyrystimestä (katso **7.3** sivulla **22**).

## **Höyrystimen täyttäminen**



### **VARO!**

#### **Palovammavaara**

Jos kaadat vettä höyrystimen kuumaan säiliöön, syntyy kuumaa höyryä.

- ÄLÄ KOSKAAN kaada vettä kuumaan höyrystimen säiliöön.
- Tarkasta ja täytä höyrystinsäiliö aina ennen yhdistelmätoiminnon käyttöä.
- Anna höyrystimen jäähtyä ENNEN veden täyttämistä höyrystinsäiliöön, jos ylikuumenemissuoja on katkaissut höyrystimen lämmityksen tai jos ohjauskeskus ilmaisee vedenpuutteen.



### **VARO!**

#### **Palovammavaara**

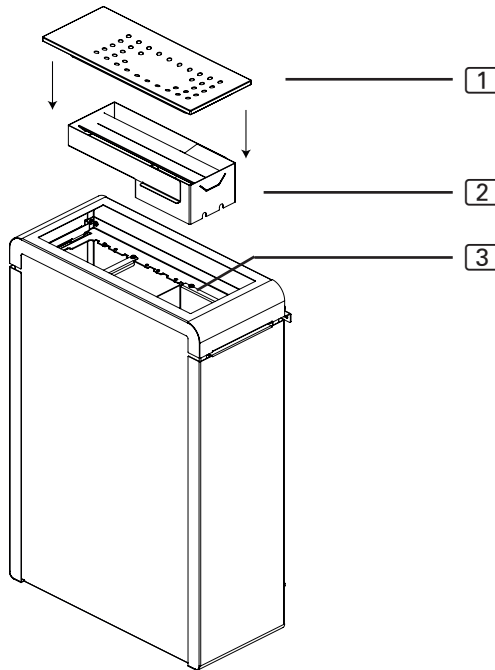
Jos höyrystimen säiliö on liian täynnä, siitä roiskuu kiehuvaa vettä.

- Täytä höyrystimen säiliö korkeintaan maksimimerkkiin saakka.

1. Poista keraaminen astia **[1]** ja höyrysuppilo **[2]**.
2. Aseta höyrystimen jalustan palloventtiilin alle keräysastia (vähintään 5 litraa).
3. Kierrä palloventtiili vasemmalle, niin että jäljellä oleva vesi virtaa ulos.
4. Sulje palloventtiili, kun höyrystimen säiliö **[3]** on tyhjä.

5. Täytä höyrystimen säiliö **3** maksimimerkkiin saakka raikkaalla vesijohtovedellä. Tarvitset noin 5 litraa vettä. Tällä vesimäärällä höyrystintä voi käyttää noin 1 tunnin verran.
6. Aseta keraaminen astia **1** ja höyrysuppilo **2** uudelleen paikalleen.

**Kuva 12** Höyrystimen kokoaminen



### **Tuoksujen ja yrttien käyttäminen**

Voit halutessasi lisätä tuoksuja tai kuivattuja yrttejä keraamiseen astiaan. Huomaa tällöin seuraavat kohdat:

- Älä lisää tuoksuja suoraan höyrystimeen.
- Huomaa yrttien ja tuoksujen valmistajien ohjeet pakkauksissa.



#### **VARO!**

#### **Palovammavaara**

Täytä keraaminen astia ja höyrysuppilo varoen, jotta tuoksuja ei pääse höyrystimen säiliöön. Muutoin vesi voi kiehuessaan kuohua yli.

## 7. Huolto

### 7.1. Höyrystimen säiliön puhdistaminen

Tyhjennä ja puhdista höyrystimen säiliö aina käytön jälkeen. Tee sitä varten seuraavat vaiheet:

1. Odota, kunnes höyrystimen vesi on jäähtynyt.
2. Aseta höyrystimen jalustan palloventtiilin alle keräysastia.
3. Kierrä palloventtiili vasemmalle, niin että jäljellä oleva vesi virtaa ulos.
4. Sulje palloventtiili, kun höyrystimen säiliö [3] on tyhjä.
5. Poista keraaminen astia [1] ja höyrysuppilo [2].
6. Puhdista höyrystimen säiliö [3] ja höyrysuppilo [2] muovisella talousharjalla. Huuhtelee vedellä.
7. Aseta keraaminen astia [1] ja höyrysuppilo [2] takaisin paikalleen.

### 7.2. Keraamisen astian puhdistaminen

Puhdista keraaminen tuoksu- ja yrttiastia [1] tarpeen mukaan astianpesukoneessa.

### 7.3. Höyrystimen säiliön kalkinpoisto

Poista kalkki höyrystimen säiliöstä [3] tarvittaessa. Käytä siihen kodinkoneiden kalkinpoistoainetta. Noudata valmistajan määräyksiä ja turvaohjeita.

1. Valmista kalkinpoistoliuos valmistajan ohjeiden mukaan.
2. Täytä kalkinpoistoliuosta höyrystimeen maksimimerkkiin saakka.
3. Anna kalkinpoistoliuoksen kiehua 10 minuuttia. **ÄLÄ OLESKELE tänä aikana saunahuoneessa.**
4. Odota, kunnes kalkinpoistoliuos on jäähtynyt höyrystimessä.
5. Tuuleta saunahuone tämän jälkeen hyvin.
6. Aseta keräysastia höyrystimen jalustan palloventtiilin alle ja tyhjennä höyrystimen säiliö.
7. Huuhtelee höyrystimen säiliö 2 kertaa vesijohtovedellä.



## 8. Ongelmanratkaisu

**Ongelma:** Höyrystin ei toimi, vaikka se saa jännitettä.

**Ongelmanratkaisu:** Tarkasta ylikuumenemissuoja:



**VAROITUS!**

**Sähköiskuvaara**

- Tee seuraavat työt vain, kun laitteessa ei ole jännitettä.

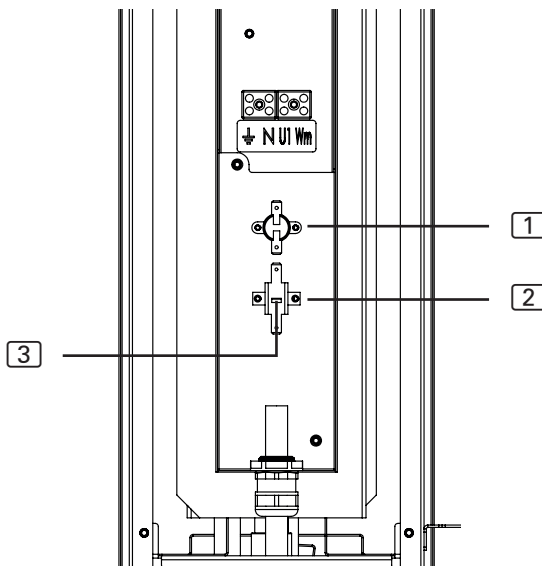
Lisähöyrystimen liitäntäalueella on 2 lämpötilakytkintä:

- **1** lämpötilakytkin

Itsestään palautuva lämpötilakytkin. Tämä laukeaa, jos höyrystimen säiliössä on liian vähän vettä. Se kytkee lämpövastuksen pois päältä, ja ohjauskeskus antaa virheilmoituksen.

- **2** ylikuumenemissulake

Tämä sulake laukeaa, jos höyrystimen säiliö kuumenee liikaa, ja estää siten lämmitysvastuksen vaurioitumisen. Tämä sulake palautetaan painamalla sulakkeen keskellä olevaa metallipaininta **3**.



## 9. Hävittäminen



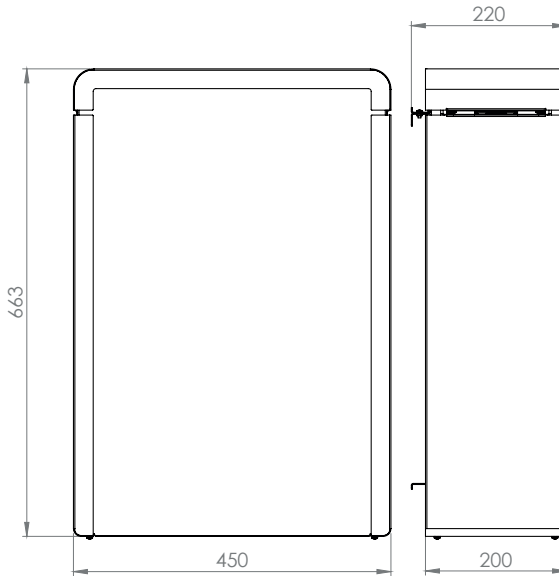
- Hävitä pakkausmateriaali voimassaolevien määräysten mukaisesti.
- Laiteromussa on kierrätettäviä materiaaleja, mutta myös haitallisia aineita. Älä siis missään tapauksessa hävitä laiteromua sekajätteen mukana, vaan hävitä laite paikallisten voimassa olevien määräysten mukaisesti.

## 10. Tekniset tiedot

Lisähöyrystimen RB mitat saat kohdasta **Kuva 13**.

Tuote-numero	Höyrystimen teho [kW]	Paino [kg]	Varmistin [A]	Syöttö
CP-25-STP-B	2,5	18	16	230V AC 1N~ 50/60Hz

**Kuva 13** Lisähöyrystimen RB mitat



Varaosat	Tuotenumero	
Lämmitysvastukset	1-044-99	1
Lämpötilakytkin	1-026-881	1
Ylikuumenemissulake	1-027-243	1





sentiotec GmbH | Division of Harvia Group | Wartenburger Straße 31, A-4840 Vöcklabruck  
T +43 (0) 7672/22 900-50 | F -80 | [info@sentiotec.com](mailto:info@sentiotec.com) | [www.sentiotec.com](http://www.sentiotec.com)